



YASKAWA

YASKAWA AC Drive Compact Vector Control Drive V1000

200 V CLASS, THREE-PHASE INPUT: 0.1 to 18.5 kW
200 V CLASS, SINGLE-PHASE INPUT: 0.1 to 3.7 kW
400 V CLASS, THREE-PHASE INPUT: 0.2 to 18.5 kW



So advanced !

So easy !

So small !

Certified for
ISO9001 and
ISO14001



JQA-0422



JQA-EM0498



Bringing you the world's smallest* variable speed drive to stand at the top of its class: V1000

Yaskawa has built a reputation for high performance, functionality, quality, and reliability. To make it even easier to optimize your applications, we present the new V1000.

A single drive with so many uses, benefiting your application the more you use it.

*: Results from market research on vector drives performed by Yaskawa.

So advanced!

Quick and easy installation, ready to run your application in no time. You'll be amazed how simple it is to use.

So easy!



Smallest in the world!

Top performance for its class. Loaded with functions and features in an unbelievably small package!



C O N T E N T S

Features	4	■
Application Benefits	8	■
Software Functions	10	■
Parameter List	12	■
Basic Instructions	16	■
Product Lineup	18	■
Model Selection	19	■
Standard Specifications	20	■
Standard Connection Diagram	22	■
Dimensions	24	■
Fully-Enclosed Design	26	■
Peripheral Devices and Options	28	■
Application Notes	48	■
YASKAWA AC Drive Series	53	■
Global Service Network	55	■



PUMP



FAN



HVAC

FLUID MACHINE ▶ See page 8.

APPLICATIONS

COMPACT CONVEYOR ▶ See page 9.



AUTO SHUTTER



PACKAGING



CONVEYOR

Even more eye-opening versatility.

V1000

Features

Yaskawa offers solutions customized for your application in an incredibly compact, technologically advanced, environmentally responsible package capable of driving a synchronous motor.

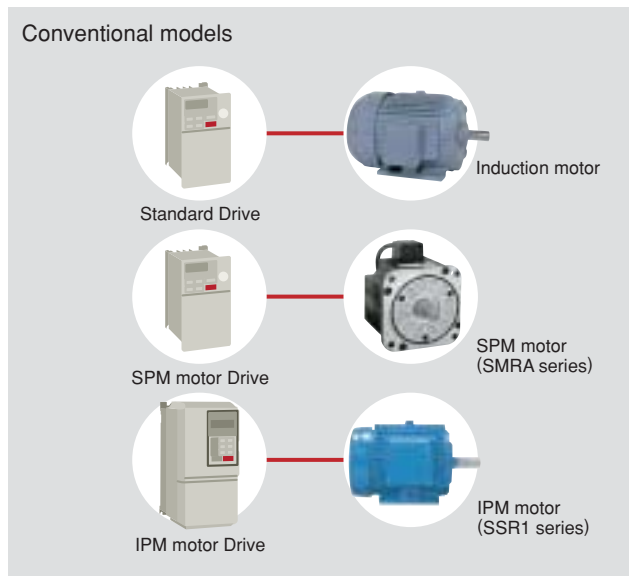
So advanced!

Sensorless Control of PM Motors Capability

Two drives in one

V1000 runs not only induction motors, but synchronous motors like IPM and SPM motors as well. Get a single drive for all your application needs, and save on spare parts.

Note: See product specifications for information on motor precision.
The variable torque ratio of synchronous motors is 1 to 10.

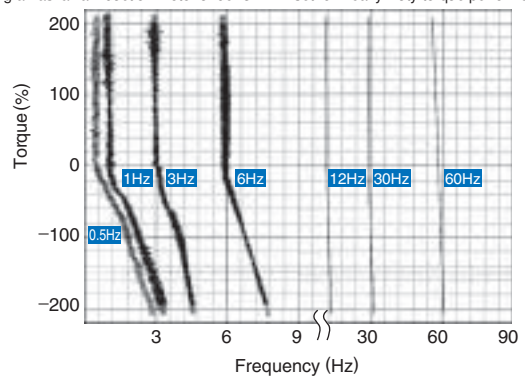


Top of Its Class

Impressive Torque Characteristics

V1000 is the first in its class fully equipped with current vector control. Current Vector control providing a powerful starting torque of 200%* at 0.5 Hz and precise torque limit operations. The motor Auto-Tuning function saves valuable start up time and assures high performance operation at the highest efficiency.

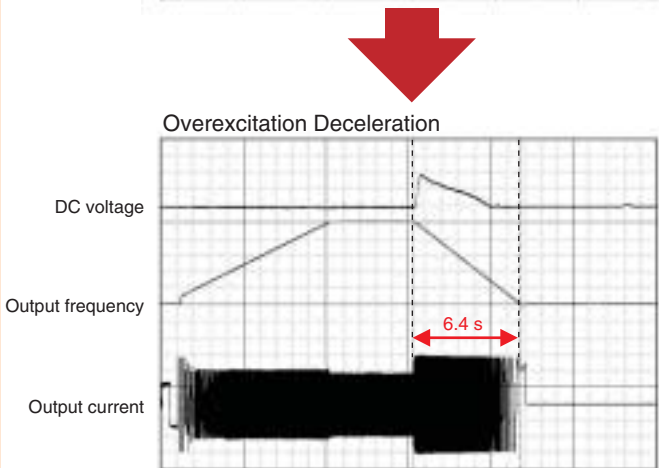
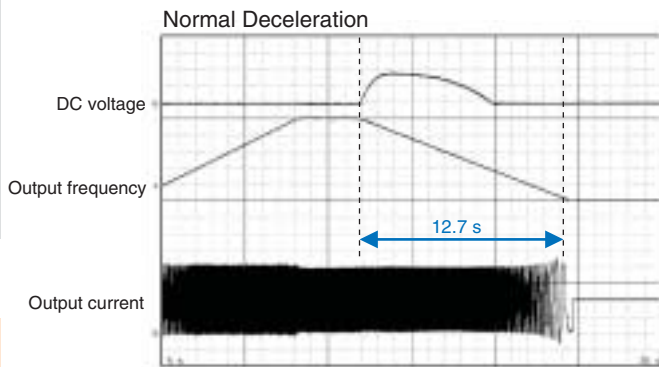
*: Using a Yaskawa induction motor under 3.7 kW set for Heavy Duty torque performance.



Increased braking power during deceleration.

Faster deceleration time with overexcitation braking.*

*: Example shown is for a 400 V 3.7 kW drive without braking resistor. Circumstances depends on the motor and load.



50% faster!

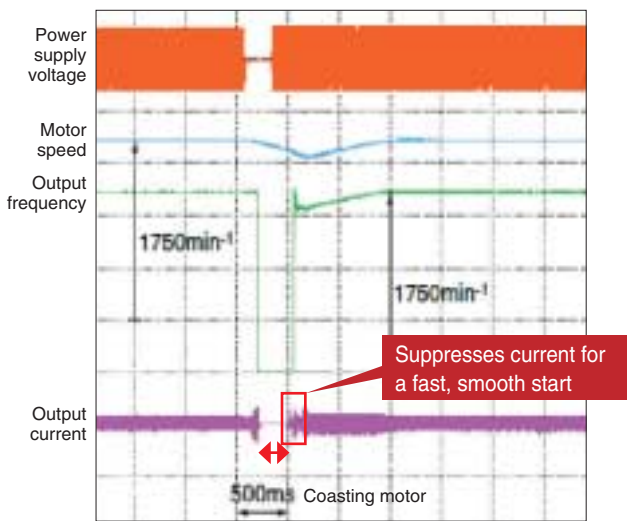
simplest, smallest drive of its class.

No more trouble from power loss.

V1000 is fully equipped with speed search and KEB Ride-Thru functions for your application needs, whether running an induction motor or permanent magnet motor.

● Speed Search Method

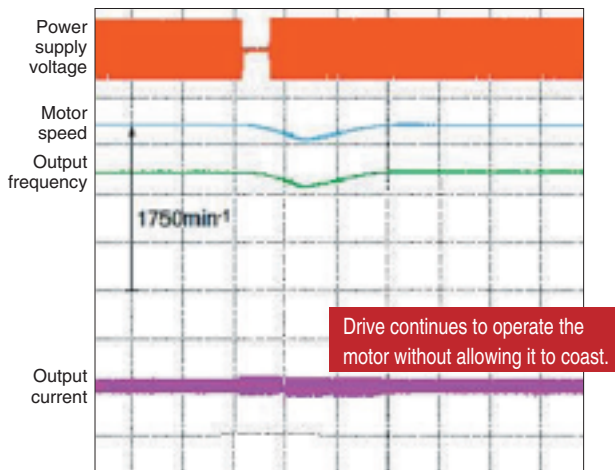
Easily restart the motor without cumbersome speed sensors. Perfect for fan, blowers, and other rotating, fluid-type applications.



Speed Search performs smooth restart by finding the coasting motors speed.

● KEB Ride-Thru

Drive continues operation by using motor regen. Perfect for HVAC



Note: Requires a sensor to detect when power loss occurs. Load conditions may still trip a fault and cause the motor to coast.

Customize the Drive

Optional visual programming software lets you instantly customize V1000 to your application. Let the drive do external device or PLC functions! Easy Drag and Drop functions starting from simple timers up to complex application blocks let you create your very own drive.



So much variation possible

Global Networking

The built in high speed RS-422/485 MEMOBUS and a variety of option units connect V1000 to all popular fieldbus networks. The optional 24 V power supply keeps the drive controller alive under all conditions, providing network communications and monitoring functions even during a main power loss.

Open Field Network	MECHATROLINK-II*
	CC-Link
	DeviceNet
	PROFIBUS-DP
	CANopen
	LONWORKS*

*: Available soon
 Note: DeviceNet is a trademark of ODVA.
 LONWORKS is a trademark of Echelon.

Specialized Types

Single-unit filter, finless design, and dust-proof models also available.



*: Available soon

Environmentally Friendly

Protecting Against Harsh Environments

Various products are available to protect your drive against humidity, dust, oil mist, and vibration. Contact Yaskawa for more information.

EU's RoHS Compliance

All V1000 models are fully compliant with the EU's RoHS initiative.

Features

From setup to maintenance, V1000 makes life easy.

So easy!

Parameters set automatically—hassle free programming!

Start up instantly with application presets!

V1000 automatically sets the parameters needed for various applications. Presets for water supply pumps, conveyor systems, exhaust fans, and other applications program the drive instantly for optimized performance—saving enormous hassle setting up for a test run.



Setting	Application Preset
00	General-purpose
01	Water Supply Pump
02	Conveyor
03	Exhaust Fan
04	HVAC Fan
05	Air Compressor
06	Crane (Hoist)
07	Crane (Travel)

Parameters are programmed automatically:	
b1-01	Frequency Reference Selection 1
b1-02	Run Command Selection 1
C1-01	Acceleration Time 1
C1-02	Deceleration Time 1
⋮	⋮

Breeze-Easy Setup

Install Multiple Drive Immediately with the USB Copy Unit

Get several drives up and running easily using the USB copy unit. The same copy unit is fully PC compatible.

Hassle free setting and maintenance straight from a PC

DriveWizard Plus lets you manage the unique settings for all your drives right on your PC.

With DriveWizard's preset operation sequences, built-in oscilloscope function, fine tuning the drive and maintenance checks have never been easier.



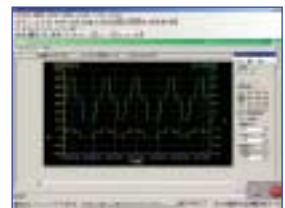
- **Drive Replacement Function**
Saves valuable time during drive set up when replacing or upgrading drives.



- **Sequence Operation**
View and edit drive parameters.



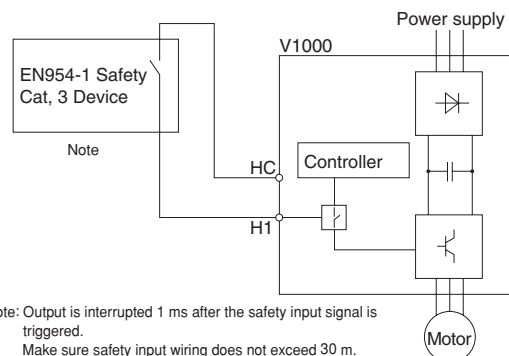
- **Oscilloscope Function**
Displays operation status and drive performance in real time.



Safety Standard Compliance TÜV approved

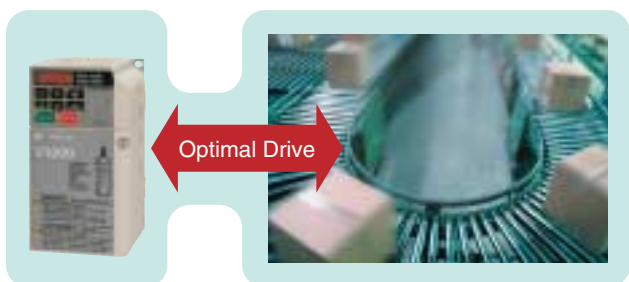
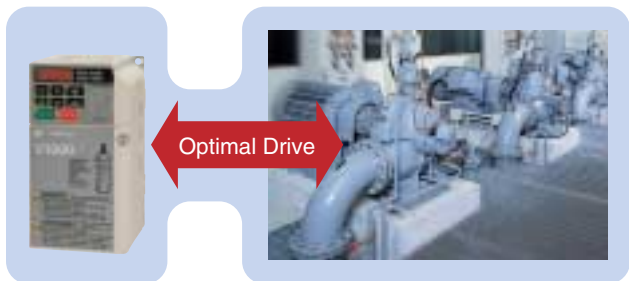
V1000 is the first drive in its class to come standard with safety input features compliant with EN954-1, safety category 3, IEC/EN61508 SIL2.

Through compliance with EN60204-1 (stop category 0), V1000 reduces the number of peripheral devices needed to satisfy safety regulations.



Note: Output is interrupted 1 ms after the safety input signal is triggered.
Make sure safety input wiring does not exceed 30 m.

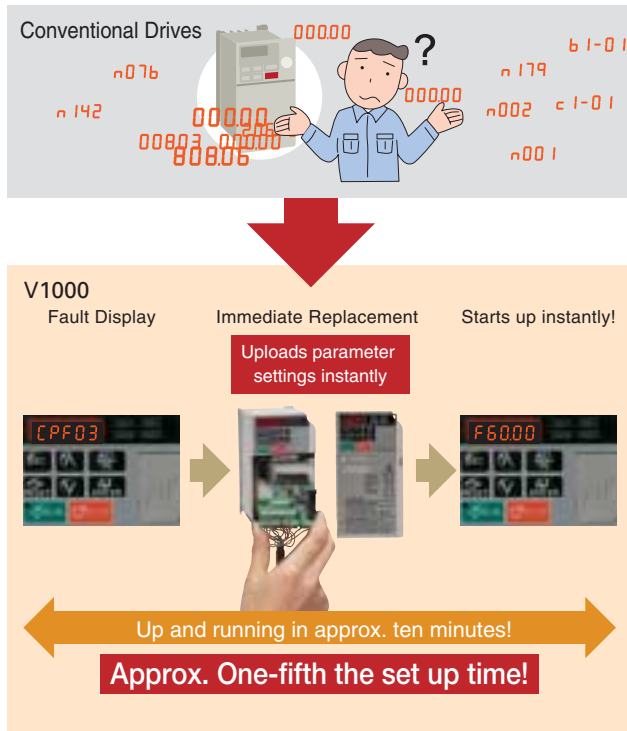
Application Example: Safety Compliance



Hassle-Free Maintenance

Less Downtime

The first-ever pluggable terminal board with a Parameter Back-Up function lets you replace a drive instantly in the event of failure. No need to re-program the replacement drive—an amazingly convenient time saver!



Exceptional Performance Life

Cooling fan and capacitors have an expected performance life of ten years. In addition, Maintenance Monitors keep track of part wear.

Note: Assumes operation conditions of 40°C, 80% rated load, and 24 hour continuous performance. Performance life may vary with operation conditions.

Simple Wiring

Screwless terminals (optional)* do away with time consuming wiring and periodic maintenance to check wire connections, which in turn makes the drive more reliable. *: Available soon

Wide Array of Monitors

Monitor functions like output frequency, output current, I/O status and watt hour counter give a clear picture of the drive operation status and helps to keep track of the energy consumption.

Verify Menu

The Verify Menu lists all setting that have been changed from their original default values. This includes parameters changed by Auto-Tuning, Application Presets, and those edited by the technician. This list makes it easy to reference changes to drive setup.

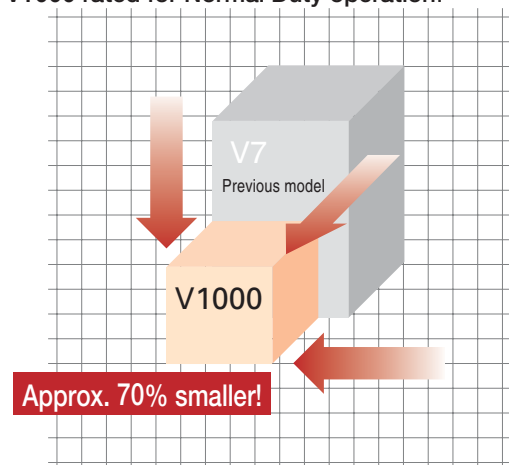
The world's smallest!

The perfect space-saving design

World's Smallest Class

Yaskawa has applied the most advanced thermal simulation technology and top reliability to create the world's smallest compact drive. V1000 reduces the space required up to 70% when compared to our earlier models.

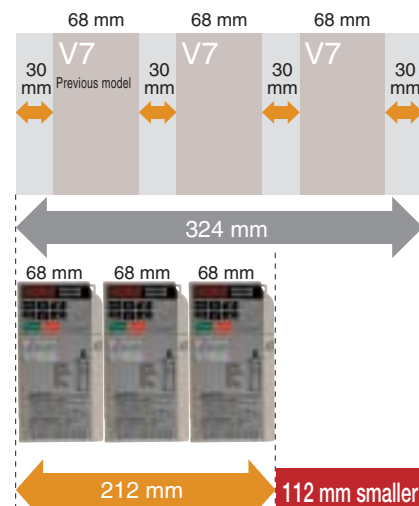
● Compare the size difference of a 200 V 5.5 kW drive with V1000 rated for Normal Duty operation:



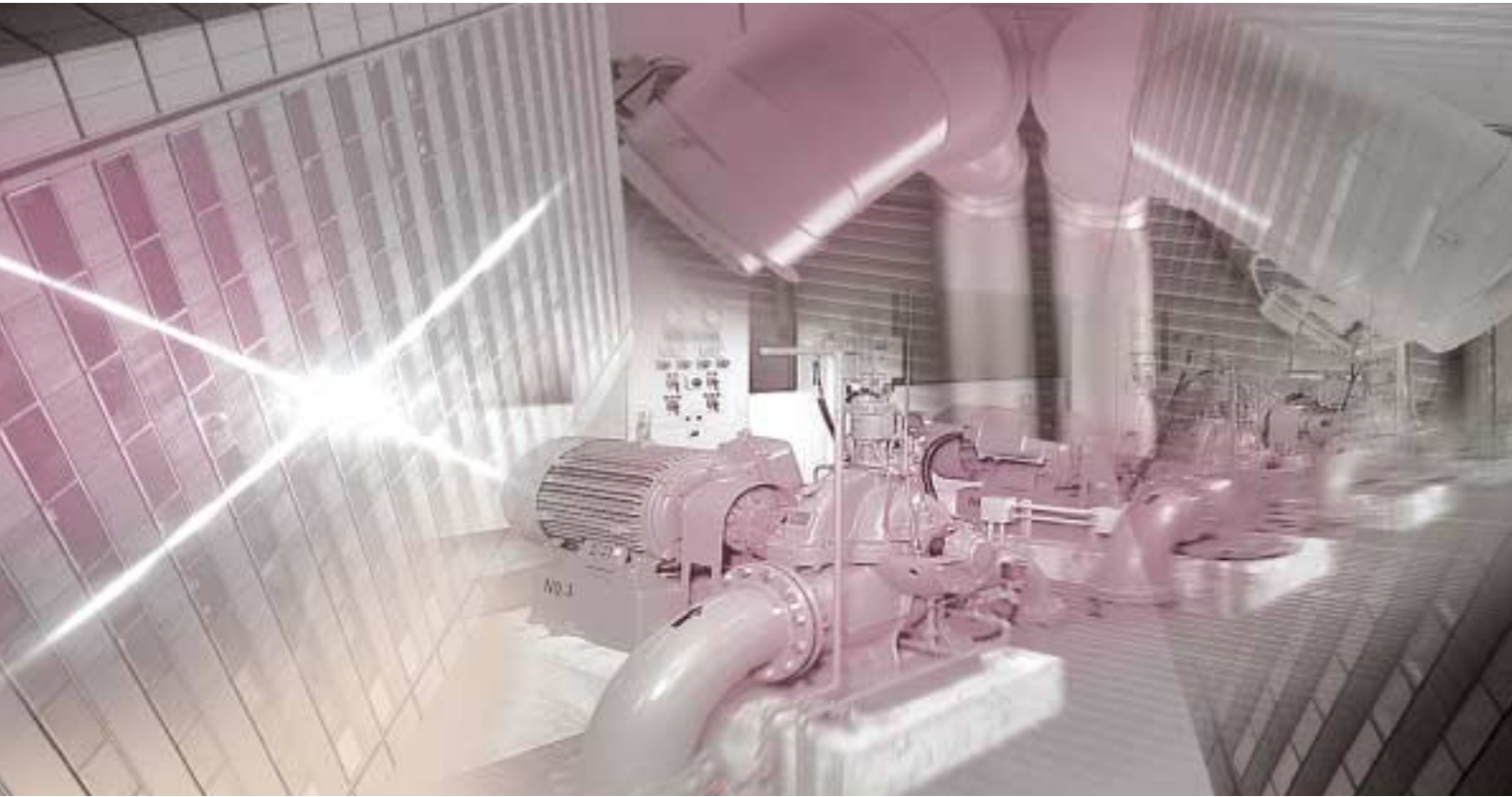
Side-by-Side

V1000 allows for a truly compact installation, requiring minimal space between units even in a tight enclosure.

● Example: Side-by-Side installation of 200 V 0.75 kW units



Note: Only 2 mm needed between V1000 drives. If the last drive in a series is installed next to a wall, a 30 mm gap is required.



Fluid Applications

Advantages

- 1 Selecting “Fan” or “Pump” presets automatically programs V1000 for optimal performance.
- 2 Compact design saves installation space. Use a permanent magnet motor to shrink the installation even further while conserving impressive amounts of energy.
 - Comparing installation areas

Yaskawa induction motor (3.7 kW)	15,953 cm ²
Yaskawa SMRA motor (3.7 kW)	4,698 cm ³
 - Comparing Overall Efficiency

V1000+SMRA motor	~88%
JIS high-performance motor drive	~82%
Yaskawa induction motor and drive	~75%

6% higher, 8% higher
 - Volume (cm³)

Yaskawa induction motor	~15,000
Yaskawa SMRA motor	~4,700

70% down
- 3 Pulse output provided to keep track of kilowatt hours-- no power meter needed. (Cannot legally be used as proof of power consumption.)
- 4 Speed Search prevents loss from down time by keeping the application running smoothly through a power loss.
- 5 An optional 24 V power supply lets you monitor drive performance from a PLC even when the power goes out.
- 6 Replace drives immediately and easily thanks to a pluggable terminal board with a built-in Parameter Back-Up function.

Functions

- NEW** Application Presets
- NEW** Watt Hour Pulse Monitor
- Undertorque Detection
- NEW** Overexcitation Braking
- Energy Saving
- Momentary Power Loss Ride-Thru
- Speed Search
- NEW** Drive WorksEZ
- Stall Prevention
- Multi-Step Speed
- NEW** PTC Input
- NEW** Overvoltage Suppression
- NEW** LOCAL/REMOTE
- PID Control
- Reference Loss Operation
- NEW** IM/PM Control
- Overtorque Detection
- Fault Restart
- NEW** Functions
- New software functions for V1000

Applications



Fan



Pump



HVAC

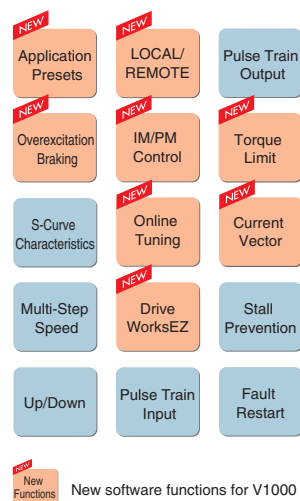


Conveyor, Transport, and Civil Applications

Advantages

- 1 Selecting the “Conveyor” preset automatically programs V1000 for optimal performance.
- 2 Safety input functions standard. Easily complies with various safety regulations.
- 3 Overexcitation braking provides more powerful braking capabilities.
- 4 Easily customize the drive through visual programming with DriveWorksEZ.
- 5 With a variety of communication protocols options available, V1000 can be networked instantly. A separate 24 V power supply is also available, allowing the technician to monitor drive performance from a PLC even when the power goes out.
- 6 IP66 and NEMA 4 Type 1 models are available. Provides water-proof and dust-proof protection and separate installation.

Functions



Applications





Software Functions

Loaded with software functions just right for your application.

Note: Major functions listed below.



New software available to upgrade from V7 to V1000, automatically matching function and sequence settings.

NEW
Application Presets

No need to struggle with difficult parameters and complex calculations. Parameters are set instantly simply by selecting the appropriate Application Preset.

Functions at Start and Stop

NEW
Optimal Deceleration

Optimal deceleration without needing to set the deceleration time. Drive slows the application smoothly controlling DC bus voltage.

NEW
Overexcitation Braking

Perfect for applications with high load inertia that rarely need to be stopped. Stop quickly—50% faster without the use of a braking resistor. *Note: Stopping times may vary based on motor characteristics.*

DC Injection Braking at Start

Halt a coasting motor and start it back up again. When the direction of a coasting motor is unknown, the drive automatically performs DC Injection to bring the motor to a halt and then start it back up again.

Speed Search

Start a coasting motor. Automatically brings a coasting motor back to the target frequency without the need for extra speed sensors.

Dwell Function

Accelerate and decelerate smoothly with large inertia loads. Drive prevents speed loss by holding the output frequency at a constant level during acceleration and deceleration.

Accel/Decel Time Switch

Switch easily between accel/decel times. Switch acceleration and deceleration rates when running two motors from the same drive, or change accel/decel times when operating at high speed.

S-Curve Characteristics

Prevent sudden shock when starting and stopping the application. Drive lets the user fine-tune the S-curve characteristics, allowing for smooth acceleration and deceleration.

Reference Functions

Frequency Reference Upper/Lower Limits

Limit motor speed. Set speed limits and eliminate the need for extra peripheral devices and extraneous hardware.

Multi-Step Speed

Easily program a speed sequence with multiple steps. Set up to 17 separate speeds to create a speed sequence for the application. The drive can easily be connected to a PLC and allow for a simple positioning with limit switches.

Frequency Jump

Skip over troublesome resonant frequencies. Drive can be programmed to avoid machine resonance problems by avoiding constant speed operation at certain speeds.

Frequency Reference Hold

Improved operability. Momentarily hold the operating frequency during acceleration or deceleration as the load is lowered or raised.

Up/Down

Improved operability. Raise or lower the frequency reference using a remote switch.

NEW
LOCAL/REMOTE

Switch between remote operating locations. Easily switch between controlling the drive directly with the keypad or from a control panel at some remote location.

Functions for Top Performance

NEW
IM/PM Control

Run both IM and PM motors with a single drive. The most advanced motor drive technology can run both IM and PM motors, allowing for even greater energy savings and a more compact setup.

NEW
Watt-Hour Pulse Monitor

No extra watt hour meter needed. A pulse output lets the user monitor power consumption. (Cannot legally be used as proof of power consumption)

Energy Saving

Automatically runs at top efficiency. The drive supplies voltage to the motor relative to the speed and load so that the application is for operating at the most efficient level.

NEW
Online Tuning

Enables high-precision operation. Automatically adjusts resistance between motor conductors during operation, thus improving speed accuracy when there are motor temperature fluctuations. This function is active only for Open Loop Vector Control.

NEW
Current Vector

Achieve high levels of performance. The drive comes with current vector control capabilities for high performance applications.

NEW

Drive WorksEZ**Customize the perfect drive to fit your needs.**

Upper controller circuitry and drive I/O terminals can be programmed so that extra hardware is no longer needed. Drag-and-drop visual programming makes customization a breeze.

NEW

Timer Function**No need for extra hardware.**

Control timing by opening and closing the output signal relative to the input signal.

NEW

PTC Input**Thermal protection provided by a PTC located in the motor windings.**

Protect the motor from over heat by directly connecting the PTC to the drive.

PID Control**Automatic PID control.**

The internal PID controller fine-adjusts the output frequency for precise control of pressure, flow or other process parameters.

NEW

Motor 2 Switch**One drive runs two motors.**

Use a single drive to operate two different motors. (Only one PM motor may be used)

Pulse Train Input**Improved operability.**

Use the Pulse Train Input to control not only the frequency reference, but also PID feedback and PID input.

Pulse Train Output**Improved monitor functions.**

Pulse output lets the user observe everything from the frequency reference and output frequency to motor speed, softstart output frequency, PID feedback, and PID input.

Frequency Detection**Use frequency detection for brake control.**

The drive can output a signal when the output frequency exceeds a specified level.

Overtorque Detection**Keep the application running while protecting connected machinery.**

Overtorque detection senses motor torque and notifies the user immediately when a filter clogs or the machine is blocked by mechanical problems.

Undertorque Detection**Better reliability: Keep the application running while protecting the load.**

Fault detection senses any drop in motor torque due to broken belts or worn transmission.

NEW

Torque Limit**Better reliability: Keep the application running while protecting the load.**

V1000 helps protect your application by restricting the amount of torque the motor can create.

Protective Functions**Momentary Power Loss Ride-Thru****Keep running even during a momentary loss in power.**

V1000 automatically restarts the motor and keeps the application going in the event of a power loss.

NEW

KEB Braking**Decelerate to stop when the power goes out.**

V1000 uses regenerative energy from the motor to bring the application to a stop, rather than simply letting it coast.

Stall Prevention**Better reliability: Keep the application running while protecting the load.**

Keeps the machine running by preventing motor stall caused by motor overload or rapid speed changes.

NEW

Overvoltage Suppression**Avoid overvoltage trip.**

Effective for punching presses and crank shafts where repetitive motion creates large amounts of regenerative energy. The drive increases or decreases the frequency in correspondence with regen levels to prevent overvoltage from occurring.

Reference Loss Operation**Better reliability for continuous operation.**

The drive can keep running at the most recent frequency reference it was given in the event that the upper controller should fail. An absolute must for HVAC systems.

Fault Restart**Keep running when a fault occurs.**

V1000 has full self-diagnostic features and can restart the application in the event of a fault. Up to 10 restarts possible.



Parameter List

The following code is used to indicate whether a parameter is available in a certain control mode or not.

S: Available in the Setup Mode and the Parameter Setting Mode.

○ : Available in the Parameter Setting Mode.

× : Not available in this control mode

Refer to V1000 Technical Manual for details.

Function	No.	Name	Range	Def ^{*1}	Control Mode		
					V/f	OLV	PM
Initialization Parameters	A1-00 ^{*2}	Language Selection	0 to 7	*1	○	○	○
	A1-01	Access Level Selection	0 to 2	2	○	○	○
	A1-02	Control Method Selection	0,2,5	0	S	S	S
	A1-03	Initialize Parameters	0 to 3330	0	○	○	○
	A1-04	Password 1	0 to 9999	0	○	○	○
	A1-05 ^{*3}	Password 2	0 to 9999	0	○	○	○
	A1-06	Application Preset	0 to 7	0	○	○	○
User Parameters	A2-01 to A2-32	User Parameters, 1 to 32	b1-01 to o2-08	—	○	○	○
	A2-33	User Parameter Automatic Selection	0,1	1	○	○	○
Operation Mode Selection	b1-01	Frequency Reference Selection 1	0 to 4	1	S	S	S
	b1-02	Run Command Selection 1	0 to 3	1	S	S	S
	b1-03	Stopping Method Selection	0 to 3	0	S	S	S
	b1-04	Reverse Operation Selection	0,1	0	○	○	○
	b1-07	LOCAL/REMOTE Run Selection	0,1	0	○	○	○
	b1-08	Run Command Selection while in Programming Mode	0 to 2	0	○	○	○
	b1-14	Phase Order Selection	0,1	0	○	○	○
	b1-15	Frequency Reference 2	0 to 4	0	○	○	○
	b1-16	Run Command Source 2	0 to 3	0	○	○	○
	b1-17	Run Command at Power Up	0,1	0	○	○	○
	DC Injection Braking	b2-01	DC Injection Braking Start Frequency	0.0 to 10.0	0.5 Hz	○	○
b2-02		DC Injection Braking Current	0 to 75	50%	○	○	×
b2-03		DC Injection Braking Time/DC Excitation Time at Start	0.00 to 10.00	0.00 s	○	○	×
b2-04		DC Injection Braking Time at Stop	0.00 to 10.00	0.50 s	○	○	×
b2-08		Magnetic Flux Compensation Capacity	0 to 1000	0%	×	○	×
b2-12		Short Circuit Brake Time at Start	0.00 to 25.50	0.00 s	×	×	○
Speed Search	b3-01	Speed Search Selection	0,1	0	○	○	○
	b3-02	Speed Search Deactivation Current	0 to 200	120	○	○	×
	b3-03	Speed Search Deceleration Time	0.1 to 10.0	2.0 s	○	○	×
	b3-05	Speed Search Delay Time	0.0 to 100.0	0.2 s	○	○	○
	b3-06	Output Current 1 during Speed Search	0.0 to 2.0	dep. on drive capacity	○	○	×
	b3-10	Speed Search Detection Compensation Gain	1.00 to 1.20	1.05	○	○	×
	b3-14	Bi-Directional Speed Search Selection	0,1	0	○	○	×
	b3-17	Speed Search Restart Current Level	0 to 200	150%	○	○	×
	b3-18	Speed Search Restart Detection Time	0.00 to 1.00	0.10 s	○	○	×
	b3-19	Number of Speed Search Restarts	0 to 10	3	○	○	×
	b3-24	Speed Search Method Selection	0,1	0	○	○	×
Timer Function	b4-01	Timer Function On-Delay Time	0.0 to 300.0	0.0 s	○	○	○
	b4-02	Timer Function Off-Delay Time	0.0 to 300.0	0.0 s	○	○	○
PID Control	b5-01	PID Function Setting	0 to 4	0	○	○	○
	b5-02	Proportional Gain Setting (P)	0.00 to 25.00	1.00	○	○	○
	b5-03	Integral Time Setting (I)	0.0 to 360.0	1.0 s	○	○	○
	b5-04	Integral Limit Setting	0.0 to 100.0	100.0%	○	○	○
	b5-05	Derivative Time (D)	0.00 to 10.00	0.00 s	○	○	○
	b5-06	PID Output Limit	0.0 to 100.0	100.0%	○	○	○
	b5-07	PID Offset Adjustment	-100.0 to +100.0	0.0%	○	○	○
	b5-08	PID Primary Delay Time Constant	0.00 to 10.00	0.00 s	○	○	○
	b5-09	PID Output Level Selection	0,1	0	○	○	○
	b5-10	PID Output Gain Setting	0.00 to 25.00	1.00	○	○	○
	b5-11	PID Output Reverse Selection	0,1	0	○	○	○
b5-12	PID Feedback Reference Missing Detection Selection	0 to 5	0	○	○	○	
b5-13	PID Feedback Loss Detection Level	0 to 100	0%	○	○	○	
b5-14	PID Feedback Loss Detection Time	0.0 to 25.5	1.0 s	○	○	○	
b5-15	PID Sleep Function Start Level	0.0 to 400.0	0.0 Hz	○	○	○	
b5-16	PID Sleep Delay Time	0.0 to 25.5	0.0 s	○	○	○	

Function	No.	Name	Range	Def ^{*1}	Control Mode		
					V/f	OLV	PM
PID Control	b5-17	PID Accel/Decel Time	0 to 255	0 s	○	○	○
	b5-18	PID Setpoint Selection	0,1	0	○	○	○
	b5-19	PID Setpoint Value	0.00 to 100.00	0.00%	○	○	○
	b5-20	PID Setpoint Scaling	0 to 3	1	○	○	○
	b5-34	PID Output Lower Limit	-100.0 to 100.0	0.0%	○	○	○
	b5-35	PID Input Limit	0 to 1000.0	1000.0%	○	○	○
	b5-36	PID Feedback High Detection Level	0 to 100	100%	○	○	○
	b5-37	PID Feedback High Level Detection Time	0.0 to 25.5	1.0 s	○	○	○
	b5-38	PID Setpoint / User Display	1 to 60000	dep. on drive capacity	○	○	○
	b5-39	PID Setpoint Display Digits	0 to 3	0	○	○	○
Dwell Function	b6-01	Dwell Reference at Start	0.0 to 400.0	0.0 Hz	○	○	○
	b6-02	Dwell Time at Start	0.0 to 10.0	0.0 s	○	○	○
	b6-03	Dwell Frequency at Stop	0.0 to 400.0	0.0 Hz	○	○	○
	b6-04	Dwell Time at Stop	0.0 to 10.0	0.0 s	○	○	○
Energy Saving	b8-01	Energy Saving Control Selection	0,1	0	○	○	×
	b8-02	Energy Saving Gain	0.0 to 10.0	0.7	×	○	×
	b8-03	Energy Saving Control Filter Time Constant	0.00 to 10.00	0.50	×	○	×
	b8-04	Energy Saving Coefficient Value	0.00 to 655.00	dep. on drive capacity	○	×	×
	b8-05	Power Detection Filter Time	0 to 2000	20 ms	○	×	×
	b8-06	Search Operation Voltage Limit	0 to 100	0%	○	×	×
Acceleration and Deceleration Times	C1-01	Acceleration Time 1	0.0 to 6000.0	10.0 s	S	S	S
	C1-02	Deceleration Time 1			S	S	S
	C1-03	Acceleration Time 2			○	○	○
	C1-04	Deceleration Time 2			○	○	○
	C1-05	Acceleration Time 3 (Motor 2 Accel Time 1)			○	○	○
	C1-06	Deceleration Time 3 (Motor 2 Decel Time 1)			○	○	○
	C1-07	Acceleration Time 4 (Motor 2 Accel Time 2)			○	○	○
	C1-08	Deceleration Time 4 (Motor 2 Decel Time 2)			○	○	○
	C1-09	Fast-Stop Time	0.0 to 6000.0	10.0 s	○	○	○
S-Curve Characteristics	C1-10	Accel/Decel Time Setting Units	0,1	1	○	○	○
	C1-11	Accel/Decel Time Switching Frequency	0.0 to 400.0Hz	0.0 Hz	○	○	○
	C2-01	S-Curve Characteristic at Accel Start	0.00 to 10.00	0.20 s	○	○	○
	C2-02	S-Curve Characteristic at Accel End	0.00 to 10.00	0.20 s	○	○	○
	C2-03	S-Curve Characteristic at Decel Start	0.00 to 10.00	0.20 s	○	○	○
	C2-04	S-Curve Characteristic at Decel End	0.00 to 10.00	0.00 s	○	○	○
	C3-01	Slip Compensation Gain	0.0 to 2.5	0.0	○	○	×
	C3-02	Slip Compensation Primary Delay Time	0 to 10000	2000 ms	○	○	×
	C3-03	Slip Compensation Limit	0 to 250	200%	○	○	×
	C3-04	Slip Compensation Selection during Regeneration	0,1	0	○	○	×
	C3-05	Output Voltage Limit Operation Selection	0,1	0	×	○	×
Torque Compensation	C4-01	Torque Compensation Gain	0.00 to 2.50	1.00	○	○	○
	C4-02	Torque Compensation Primary Delay Time	0 to 60000	200 ms	○	○	○
	C4-03	Torque Compensation at Forward Start	0.0 to 200.0	0.0%	×	○	×
	C4-04	Torque Compensation at Reverse Start	-200.0 to 0.0	0.0%	×	○	×
	C4-05	Torque Compensation Time Constant	0 to 200	10 ms	×	○	×
	C4-06	Torque Compensation Primary Delay Time 2	0 to 10000	150 ms	×	○	×
Speed Control (ASR)	C5-01	ASR Proportional Gain 1	0.00 to 300.00	0.20	○	×	×
	C5-02	ASR Integral Time 1	0.000 to 10.000	0.200	○	×	×
	C5-03	ASR Proportional Gain 2	0.00 to 300.00	0.02	○	×	×
	C5-04	ASR Integral Time 2	0.000 to 10.000	0.050 s	○	×	×
	C5-05	ASR Limit	0.0 to 20.0	5.0%	○	×	×
Carrier Frequency	C6-01	Normal/Heavy Duty Selection	0,1	1	S	S	S
	C6-02	Carrier Frequency Selection	1 to F	—	S	S	S
	C6-03	Carrier Frequency Upper Limit	1.0 to 15.0	dep. on drive capacity	○	○	○
	C6-04	Carrier Frequency Lower Limit	0.4 to 15.0	—	○	×	×
	C6-05	Carrier Frequency Proportional Gain	00 to 99	—	○	×	×

*1: Default setting depends on the control mode.

*2: Parameter setting value is not reset to the default value during drive initialization, A1-03 = 1110, 2220, 3330.

*3: Parameter A1-05 is hidden from view. To display A1-05, access parameter A1-04 and simultaneously depress the STOP key and the Up arrow key.

Note: For software version PRG: 1012. Verify the software version by checking either the nameplate on the drive or parameter U1-25.

Function	No.	Name	Range	Def*1	Control Mode		
					V/f	OLV	PM
Frequency Reference	d1-01	Frequency Reference 1	0.00 to 400.00	0.00 Hz	S	S	S
	d1-02	Frequency Reference 2			S	S	S
	d1-03	Frequency Reference 3			S	S	S
	d1-04	Frequency Reference 4			S	S	S
	d1-05	Frequency Reference 5			○	○	○
	d1-06	Frequency Reference 6			○	○	○
	d1-07	Frequency Reference 7			○	○	○
	d1-08	Frequency Reference 8			○	○	○
	d1-09	Frequency Reference 9			○	○	○
	d1-10	Frequency Reference 10			○	○	○
	d1-11	Frequency Reference 11			○	○	○
	d1-12	Frequency Reference 12			○	○	○
	d1-13	Frequency Reference 13			○	○	○
	d1-14	Frequency Reference 14			○	○	○
	d1-15	Frequency Reference 15			○	○	○
	d1-16	Frequency Reference 16			○	○	○
	Frequency Upper and Lower Limits	d2-01			Frequency Reference Upper Limit	0.0 to 110.0	100.0%
d2-02		Frequency Reference Lower Limit	0.0 to 110.0	0.0%	○	○	○
d2-03		Master Speed Reference Lower Limit	0.0 to 110.0	0.0%	○	○	○
Jump Frequency	d3-01	Jump Frequency 1	0.0 to 400.0	0.0 Hz	○	○	○
	d3-02	Jump Frequency 2	0.0 to 400.0	0.0 Hz	○	○	○
	d3-03	Jump Frequency 3	0.0 to 400.0	0.0 Hz	○	○	○
	d3-04	Jump Frequency Width	0.0 to 20.0	1.0 Hz	○	○	○
Frequency Reference Hold	d4-01	Frequency Reference Hold Function Selection	0,1	0	○	○	○
	d4-03	Frequency Reference Bias Step (Up/Down 2)	0.00 to 99.99	0.00 Hz	○	○	○
	d4-04	Frequency Reference Bias Accel/Decel (Up/Down 2)	0,1	0	○	○	○
	d4-05	Frequency Reference Bias Operation Mode Selection (Up/Down 2)	0,1	0	○	○	○
	d4-06	Frequency Reference Bias (Up/Down 2)	-99.9 to +100.0	0.0%	○	○	○
	d4-07	Analog Frequency Reference Fluctuation Limit (Up/Down 2)	0.1 to +100.0	1.0%	○	○	○
	d4-08	Frequency Reference Bias Upper Limit (Up/Down 2)	0.0 to 100.0	0.0%	○	○	○
	d4-09	Frequency Reference Bias Lower Limit (Up/Down 2)	-99.9 to 0.0	0.0%	○	○	○
	d4-10	Up/Down Frequency Reference Limit Selection	0,1	0	○	○	○
	Offset Frequency	d7-01	Offset Frequency 1	-100.0 to +100.0	0.0%	○	○
d7-02		Offset Frequency 2	-100.0 to +100.0	0.0%	○	○	○
d7-03		Offset Frequency 3	-100.0 to +100.0	0.0%	○	○	○
V/f Pattern Characteristics	E1-01*2	Input Voltage Setting	155 to 255	dep. on drive capacity	S	S	S
	E1-03	V/f Pattern Selection	0 to F	F	○	○	×
	E1-04	Max Output Frequency	40.0 to 400.0	60.0 Hz	S	S	S
	E1-05*2	Max Output Voltage	0.0 to 255.0	200.0 V	S	S	S
	E1-06	Base Frequency	0.0 to E1-04	60.0 Hz	S	S	S
	E1-07	Mid Output Frequency	0.0 to E1-04	3.0 Hz	○	○	○
	E1-08*2	Mid Output Frequency Voltage	0.0 to 255.0	16.0 V	○	○	×
	E1-09	Minimum Output Freq.	0.0 to E1-04	1.5 Hz	S	S	S
	E1-10*2	Minimum Output Freq. Voltage	0.0 to 255.0	12.0 V	○	○	×
	E1-11	Mid Output Frequency 2	0.0 to E1-04	0.0 Hz	○	○	×
	E1-12*2	Mid Output Frequency Voltage 2	0.0 to 255.0	0.0 V	○	○	×
E1-13*2	Base Voltage	0.0 to 255.0	0.0 V	○	S	×	
Motor Parameters	E2-01	Motor Rated Current	10 to 200% of drive rated current	dep. on drive capacity	S	S	×
	E2-02	Motor Rated Slip	0.00 to 20.00		○	○	×
	E2-03	Motor No-Load Current	0 to less than E2-01		○	○	×

*1: Default setting depends on the control mode.

*2: Values shown here are for 200 V class drives. Double the value when using a 400 V class drive.

Function	No.	Name	Range	Def*1	Control Mode		
					V/f	OLV	PM
Motor 2 V/f Characteristics	E2-04	Number of Motor Poles	2 to 48	4 poles	○	○	×
	E2-05	Motor Line-to-Line Resistance	0.000 to 65.000	dep. on drive capacity	○	○	×
	E2-06	Motor Leakage Inductance	0.0 to 40.0		○	○	×
	E2-07	Motor Iron-Core Saturation Coefficient 1	E2-07 to 0.50	0.50	×	○	×
	E2-08	Motor Iron-Core Saturation Coefficient 2	E2-07 to 0.75	0.75	×	○	×
	E2-09	Motor Mechanical Loss	0.0 to 10.0	0.0%	×	○	×
	E2-10	Motor Iron Loss for Torque Compensation	0 to 65535	dep. on drive capacity	○	×	×
	E2-11	Motor Rated Output	0.00 to 650.00	0.40 kW	S	S	×
	E2-12	Motor Iron-Core Saturation Coefficient 3	1.30 to 5.00	1.30	×	○	×
	E3-01	Motor 2 Control Method	0,2	0	○	○	×
	E3-04	Motor 2 Max Output Frequency	40.0 to 400.0	60.0 Hz	○	○	×
	E3-05*2	Motor 2 Max Voltage	0.0 to 255.0	200.0 V	○	○	×
	E3-06	Motor 2 Base Frequency	0.0 to E3-04	60.0 Hz	○	○	×
	E3-07	Motor 2 Mid Output Freq.	0.0 to E3-04	3.0 Hz	○	○	×
	E3-08*2	Motor 2 Mid Output Freq. Voltage	0.0 to 255.0	16.0 V	○	○	×
	E3-09	Motor 2 Min. Output Freq.	0.0 to E3-04	1.5 Hz	○	○	×
	E3-10	Motor 2 Min. Output Freq. Voltage	0.0 to 255.0	12.0 V	○	○	×
E3-11	Motor 2 Mid Output Frequency 2	0.0 to E3-04	0.0 Hz	○	○	×	
E3-12*2	Motor 2 Mid Output Frequency Voltage 2	0.0 to 255.0	0.0 Vac	○	○	×	
E3-13*2	Motor 2 Base Voltage	0.0 to 255.0	0.0 Vac	○	S	×	
Motor 2 Parameters	E4-01	Motor 2 Rated Current	10 to 200% of drive rated current	dep. on drive capacity	○	○	×
	E4-02	Motor 2 Rated Slip	0.00 to 20.00		○	○	×
	E4-03	Motor 2 Rated No-Load Current	0 to less than E4-01		○	○	×
	E4-04	Motor 2 Motor Poles	2 to 48	4 poles	○	○	×
	E4-05	Motor 2 Line-to-Line Resistance	0.000 to 65.000	dep. on drive capacity	○	○	×
	E4-06	Motor 2 Leakage Inductance	0.0 to 40.0		○	○	×
	E4-07	Motor 2 Motor Iron-Core Saturation Coefficient 1	0.00 to 0.50	0.50	×	○	×
	E4-08	Motor 2 Motor Iron-Core Saturation Coefficient 2	Setting for E4-07 to 0.75	0.75	×	○	×
	E4-09	Motor 2 Mechanical Loss	0.0 to 10.0	0.0	×	○	×
	E4-10	Motor 2 Iron Loss	0 to 65535	dep. on drive capacity	○	×	×
	E4-11	Motor 2 Rated Capacity	0.00 to 650.00		○	○	×
	E4-12	Motor 2 Iron-Core Saturation Coefficient 3	1.30 to 5.00	1.30	×	○	×
	E4-14	Motor 2 Slip Compensation Gain	0.0 to 2.5	0.0	○	○	×
	E4-15	Torque Compensation Gain - Motor 2	1.00 to 2.50	1.00	○	○	×
	PM Motor Parameters	E5-01	Motor Code Selection (for PM motor)	0000 to FFFF		×	×
E5-02		Motor Rated Capacity (for PM motor)	0.10 to 18.50		×	×	S
E5-03		Motor Rated Current	10 to 200% of drive rated current	dep. on drive capacity	×	×	S
E5-04		Motor Poles	2 to 48		×	×	S
E5-05		Motor Resistance	0.000 to 65.000		×	×	S
E5-06		Motor d Axis Inductance	0.00 to 300.00		×	×	S
E5-07		Motor q Axis Inductance	0.00 to 600.00		×	×	S
E5-09		Motor Induction Voltage Constant 1	0.0 to 2000.0		×	×	S
E5-24		Motor Induction Voltage Constant 2	0.0 to 2000.0		×	×	S
Vf Control with Simple PG Feedback - PG Setup Parameters	F1-02	Operation Selection at PG Open Circuit (PGO)	0 to 3	1	○	×	×
	F1-03	Operation Selection at Overspeed (OS)	0 to 3	1	○	×	×
	F1-04	Operation Selection at Deviation	0 to 3	3	○	×	×
	F1-08	Overspeed Detection Level	0 to 120	115%	○	×	×
	F1-09	Overspeed Detection Delay Time	0.0 to 2.0	1.0	○	×	×
	F1-10	Excessive Speed Deviation Detection Level	0 to 50	10%	○	×	×
	F1-11	Excessive Speed Deviation Detection Delay Time	0.0 to 10.0	0.5 s	○	×	×
	F1-14	PG Open-Circuit Detection Time	0.0 to 10.0	2.0 s	○	×	×

Parameter List (continued)

Function	No.	Name	Range	Def ^{*1}	Control Mode			
					V/f	OLV	PM	
Serial Communications Option Card Settings	F6-01	Communications Error Operation Selection	0 to 3	1	○	○	○	
	F6-02	External Fault from Comm. Option Selection	0,1	0	○	○	○	
	F6-03	External Fault from Comm. Option Operation Selection	0 to 3	1	○	○	○	
	F6-04	Bus Error Detection Time	0.0 to 5.0	2.0 s	○	○	○	
	F6-10	CC-Link Node Address	0 to 63	0	○	○	○	
	F6-11	CC-Link Communications Speed	0 to 4	0	○	○	○	
	F6-14	BUS Error Auto Reset	0,1	0	○	○	○	
	F6-30	PROFIBUS Node Address	0 to 125	0	○	○	○	
	F6-31	PROFIBUS Clear Mode Selection	0,1	0	○	○	○	
	F6-32	PROFIBUS Data Format Selections	0,1	0	○	○	○	
	F6-35	CANopen Node ID Selection	0 to 127	99	○	○	○	
	F6-36	CANopen Communications Speed	0 to 8	6	○	○	○	
	F6-40	CompoNet Node ID	0 to 63	0	○	○	○	
	F6-41	CompoNet Speed	0 to 255	0	○	○	○	
	F6-50	DeviceNet MAC Address	0 to 63	*1	○	○	○	
	F6-51	Device Net Communications Speed	0 to 4	*1	○	○	○	
	F6-52	DeviceNet PCA Setting	0 to 255	*1	○	○	○	
	F6-53	DeviceNet PPA Setting	0 to 255	*1	○	○	○	
	F6-54	DeviceNet Idle Mode Fault Detection	0,1	0	○	○	○	
	F6-55	DeviceNet Baud Rate from Network	0 to 2 (read only)	—	○	○	○	
	F6-56	DeviceNet Speed Scaling Factor	-15 to 15	0	○	○	○	
	F6-57	DeviceNet Current Scaling Factor	-15 to 15	0	○	○	○	
	F6-58	DeviceNet Torque Scaling Factor	-15 to 15	0	○	○	○	
	F6-59	DeviceNet Power Scaling Factor	-15 to 15	0	○	○	○	
	F6-60	DeviceNet Voltage Scaling Factor	-15 to 15	0	○	○	○	
	F6-61	DeviceNet Time Scaling Factor	-15 to 15	0	○	○	○	
	F6-62	DeviceNet Heartbeat Interval	0 to 10	0	○	○	○	
	F6-63	DeviceNet MAC ID from Network	0 to 64 (read only)	—	○	○	○	
	F7-01 ~ F7-22	Reserved	—	—	○	○	○	
	Multi-Function Digital Inputs	H1-01	Multi-Function Digital Input Terminal S1 Function Selection	1 to 9F	40	○	○	○
		H1-02	Multi-Function Digital Input Terminal S2 Function Selection		41	○	○	○
		H1-03	Multi-Function Digital Input Terminal S3 Function Selection		24	○	○	○
H1-04		Multi-Function Digital Input Terminal S4 Function Selection	14		○	○	○	
H1-05		Multi-Function Digital Input Terminal S5 Function Selection	3(0)		○	○	○	
H1-06		Multi-Function Digital Input Terminal S6 Function Selection	4(3)		○	○	○	
H1-07		Multi-Function Digital Input Terminal S7 Function Selection	6(4)		○	○	○	
Multi-Function Digital Outputs	H2-01	Terminal MA, MB and MC Function Selection (relay)	0 to 192	E	○	○	○	
	H2-02	Terminal P1 Function Selection (open-collector)		0	○	○	○	
	H2-03	Terminal P2 Function Selection (open-collector)		2	○	○	○	
	H2-06	Watt Hour Output Unit Selection		0 to 4	0	○	○	○
Analog Inputs	H3-01	Terminal A1 Signal Level Selection	0,1	0	○	○	○	
	H3-02	Terminal A1 Function Selection	0 to 31	0	○	○	○	
	H3-03	Terminal A1 Gain Setting	-999.9 to 999.9	100.0%	○	○	○	
	H3-04	Terminal A1 Bias Setting	-999.9 to 999.9	0.0%	○	○	○	
	H3-09	Terminal A2 Signal Level Selection	0 to 3	2	○	○	○	
	H3-10	Terminal A2 Function Selection	0 to 31	0	○	○	○	
	H3-11	Terminal A2 Gain Setting	-999.9 to 1000.0	100.0%	○	○	○	
	H3-12	Terminal A2 Input Bias	-999.9 to 999.9	0.0%	○	○	○	
	H3-13	Analog Input Filter Time Constant	0.00 to 2.00	0.03 s	○	○	○	
	H4-01	Multi-Function Analog Output Terminal AM	000 to 999	102	○	○	○	
	H4-02	Multi-Function Analog Output Terminal AM Gain	-999.9 to 999.9	100.0%	S	S	S	
	H4-03	Multi-Function Analog Output Terminal AM Bias	-999.9 to 999.9	0.0%	○	○	○	
MEMOBUS/Modbus Communications	H5-01	Drive Slave Address	0 to 20 H	1F	○	○	○	
	H5-02	Communication Speed Selection	0 to 8	3	○	○	○	
	H5-03	Communication Parity Selection	0 to 2	0	○	○	○	
	H5-04	Stopping Method After Communication Error	0 to 3	3	○	○	○	
	H5-05	Communication Fault Detection Selection	0,1	1	○	○	○	
	H5-06	Drive Transmit Wait Time	5 to 65	5 ms	○	○	○	
	H5-07	RTS Control Selection	0,1	1	○	○	○	
	H5-09	CE Detection Time	0.0 to 10.0	2.0 s	○	○	○	

Function	No.	Name	Range	Def ^{*1}	Control Mode		
					V/f	OLV	PM
MEMOBUS/Modbus Communications	H5-10	Unit Selection for MEMOBUS/Modbus Register 0025H	0,1	0	○	○	○
	H5-11	Communications ENTER Function Selection	0,1	1	○	○	○
	H5-12	Run Command Method Selection	0,1	0	○	○	○
	H6-01	Pulse Train Input Terminal RP Function Selection	0 to 3	0	○	○	○
	H6-02	Pulse Train Input Scaling	1000 to 32000	1440 Hz	○	○	○
	H6-03	Pulse Train Input Gain	0.0 to 1000.0	100.0%	○	○	○
	H6-04	Pulse Train Input Bias	-100.0 to +100.0	0.0%	○	○	○
	H6-05	Pulse Train Input Filter Time	0.00 to 2.00	0.10 s	○	○	○
Pulse Train Input/Output	H6-06	Pulse Train Monitor Terminal MP Selection	000,031,101,102,105,116,501,502	102	○	○	○
	H6-07	Pulse Train Monitor Scaling	0 to 32000	1440 Hz	○	○	○
	H6-08	Pulse Train Input Minimum Frequency	0.1 to 1000.0	0.5 Hz	○	○	○
	L1-01	Motor Overload Protection Selection	0 to 4	1	○	○	○
	L1-02	Motor Overload Protection Time	0.1 to 5.0	1.0 min	○	○	○
	L1-03	Motor Overheat Alarm Operation Selection (PTC input)	0 to 3	3	○	○	○
	L1-04	Motor Overheat Fault Operation Selection (PTC input)	0 to 2	1	○	○	○
	L1-05	Motor Temperature Input Filter Time (PTC input)	0.00 to 10.00	0.20 s	○	○	○
Motor Protection Functions	L1-13	Continuous Electrothermal Operation Selection	0,1	1	○	○	○
	L2-01	Momentary Power Loss Operation Selection	0 to 2	0	○	○	○
	L2-02	Momentary Power Loss Ride-Thru Time	0.0 to 25.5	—	○	○	○
	L2-03	Momentary Power Loss Minimum Baseblock Time	0.1 to 5.0	—	○	○	○
	L2-04	Momentary Power Loss Voltage Recovery Ramp Time	0.0 to 5.0	—	○	○	○
	L2-05*2	Undervoltage Detection Level (Uv)	150 to 210	—	○	○	○
	L2-06	KEB Deceleration Time	0.0 to 200.0	0.0 s	○	○	○
	L2-07	KEB Acceleration Time	0.0 to 25.5	0.0 s	○	○	○
Momentary Power Loss	L2-08	KEB Start Output Frequency Reduction	0 to 300	100%	○	○	○
	L2-11*2	Desired DC Bus Voltage during KEB	150 to 400	E1-01 × 1.22 (V)	○	○	○
	L3-01	Stall Prevention Selection during Acceleration	0 to 2	1	○	○	○
	L3-02	Stall Prevention Level during Acceleration	0 to 150	—	○	○	○
	L3-03	Stall Prevention Limit during Acceleration	0 to 100	50%	○	○	○
	L3-04	Stall Prevention Selection during Deceleration	0 to 4	1	S	S	S
	L3-05	Stall Prevention Selection during Run	0 to 2	1	○	×	○
	L3-06	Stall Prevention Level during Run	30 to 200	—	○	×	○
Stall Prevention Functions	L3-11	ov Suppression Function Selection	0,1	0	○	○	○
	L3-17*2	Overvoltage Suppression and Stall Prevention Desired DC Bus Voltage	150 to 400	370 V	○	○	○
	L3-20	Main Power Circuit Voltage Adjustment Gain	0.00 to 5.00	1.00	○	○	○
	L3-21	Accel/Decel Rate Calculation Gain	0.00 to 200.00	1.00	○	○	○
	L3-22	Deceleration Time at Stall Prevention during Acceleration	0.0 to 6000.0	0.0 s	×	×	○
	L3-23	Automatic Reduction Selection for Stall Prevention during Run	0,1	0	○	○	○
	L3-24	Motor Acceleration Time for Inertia Calculations	0.001 to 10.000	—	○	○	○
	L3-25	Load Inertia Ratio	0.0 to 1000.0	1.0	○	○	○
Frequency Detection	L4-01	Speed Agreement Detection Level	0.0 to 400.0	0.0 Hz	○	○	○
	L4-02	Speed Agreement Detection Width	0.0 to 20.0	2.0 Hz	○	○	○
	L4-03	Speed Agreement Detection Level (+/-)	-400.0 to 400.0	0.0 Hz	○	○	○
	L4-04	Speed Agreement Detection Width (+/-)	0.0 to 20.0	2.0 Hz	○	○	○
	L4-05	Frequency Reference Loss Detection Selection	0,1	0	○	○	○
	L4-06	Frequency Reference at Reference Loss	0.0 to 100.0	80.0%	○	○	○
	L4-07	Frequency Detection Conditions	0,1	0	○	○	○
Fault Reset	L5-01	Number of Auto Restart Attempts	0 to 10	0	○	○	○
	L5-02	Auto Restart Operation Selection	0,1	0	○	○	○
	L5-04	Fault Reset Interval Time	0.5 to 600.0	10.0 s	○	○	○
	L5-05	Fault Reset Operation Selection	0,1	0	○	○	○
	L6-01	Torque Detection Selection 1	0 to 8	0	○	○	○
	L6-02	Torque Detection Level 1	0 to 300	150%	○	○	○
Overtorque Detection	L6-03	Torque Detection Time 1	0.0 to 10.0	0.1 s	○	○	○
	L6-04	Torque Detection Selection 2	0 to 8	0	○	○	○
	L6-05	Torque Detection Level 2	0 to 300	150%	○	○	○
	L6-06	Torque Detection Time 2	0.0 to 10.0	0.1 s	○	○	○
	L6-08	Mechanical Weakening (oL5) Detection Operation	0 to 8	0	○	○	○
	L6-09	Mechanical Weakening Detection Speed Level	-110.0 to 110.0	110%	○	○	○
	L6-10	Mechanical Weakening Detection Time	0.0 to 10.0	0.1 s	○	○	○
	L6-11	Mechanical Weakening Detection Start Time	0 to 65535	0	○	○	○

*1: Default setting depends on the control mode.

*2: Values shown here are for 200 V class drives. Double the value when using a 400 V class drive.

Function	No.	Name	Range	Def*1	Control Mode			
					V/f	OLV	PM	
Torque Limit	L7-01	Forward Torque Limit	0 to 300	200%	×	○	×	
	L7-02	Reverse Torque Limit	0 to 300	200%	×	○	×	
	L7-03	Forward Regenerative Torque Limit	0 to 300	200%	×	○	×	
	L7-04	Reverse Regenerative Torque Limit	0 to 300	200%	×	○	×	
	L7-06	Torque Limit Integral Time Constant	5 to 10000	200 ms	×	○	×	
	L7-07	Torque Limit Control Method Selection during Accel/Decel	0,1	0	×	○	×	
	L8-01	Internal Dynamic Braking Resistor Protection Selection (ERF type)	0,1	0	○	○	○	
Hardware Protection	L8-02	Overheat Alarm Level	50 to 130	dep. on drive capacity	○	○	○	
	L8-03	Overheat Pre-Alarm Operation Selection	0 to 4	3	○	○	○	
	L8-05	Input Phase Loss Protection Selection	0,1	0	○	○	○	
	L8-07	Output Phase Loss Protection	0 to 2	1	○	○	○	
	L8-09	Output Ground Fault Detection Selection	0,1	dep. on drive capacity	○	○	○	
	L8-10	Heatsink Cooling Fan Operation Selection	0,1	0	○	○	○	
	L8-11	Heatsink Cooling Fan Operation Delay Time	0 to 300	60 s	○	○	○	
	L8-12	Ambient Temperature Setting	-10 to 50	40°C	○	○	○	
	L8-15	αL2 Characteristics Selection at Low Speeds	0,1	1	○	○	○	
	L8-18	Soft CLA Selection	0,1	1	○	○	×	
	L8-19	Frequency Reduction Rate during oH Pre-Alarm	0.1 to 1.0	0.8	○	○	○	
	L8-29	Current Unbalance Detection (LF2)	0,1	1	×	×	○	
	L8-35	Installation Method Selection	0 to 3	dep. on drive capacity	○	○	○	
	L8-38	Carrier Frequency Reduction	0 to 2	○	○	○	○	
	L8-40	Carrier Frequency Reduction Time	0.00 to 2.00	0.50	○	○	○	
	L8-41	High Current Alarm Selection	0,1	0	○	○	○	
	Hunting Prevention	n1-01	Hunting Prevention Selection	0,1	1	○	×	×
		n1-02	Hunting Prevention Gain Setting	0.00 to 2.50	1.00	○	×	×
		n1-03	Hunting Prevention Time Constant	0 to 500	dep. on drive capacity	○	×	×
n1-05		Hunting Prevention Gain while in Reverse	0.00 to 2.50	0.00	○	×	×	
Speed Feedback Detection Control Function		n2-01	Speed Feedback Detection Control (AFR) Gain	0.00 to 10.00	1.00	×	○	×
	n2-02	Speed Feedback Detection Control (AFR) Time Constant	0 to 2000	50 ms	×	○	×	
	n2-03	Speed Feedback Detection Control (AFR) Time Constant 2	0 to 2000	750 ms	×	○	×	
High-Slip Braking	n3-01	High-Slip Braking Deceleration Frequency Width	1 to 20	5%	○	×	×	
	n3-02	High-Slip Braking Current Limit	100 to 200	150%	○	×	×	
	n3-03	High-Slip Braking Dwell Time at Stop	0.0 to 10.0	1.0 s	○	×	×	
	n3-04	High-Slip Braking Overload Time	30 to 1200	40 s	○	×	×	
	n3-13	Overexcitation Deceleration Gain	1.00 to 1.40	1.10	○	○	×	
	n3-21	High-Slip Suppression Current Level	0 to 150	100%	○	○	×	
Online Tuning of Motor Line-to-Line Resistance	n6-01	Line-to-Line Motor Resistance Online Tuning	0,1	1	×	○	×	
Permanent Magnet (PM) Motor Control	n8-45	Speed Feedback Detection Control Gain	0.0 to 10.0	0.8	×	×	○	
	n8-47	Pull-In Current Compensation Time Constant	0.0 to 100.0	5.0 s	×	×	○	
	n8-48	Pull-In Current	20 to 200	30%	×	×	○	
	n8-49	Load Current	-200.0 to 0.0	0.0%	×	×	○	
	n8-51	Acceleration Pull-In Current	0 to 200	50%	×	×	○	
	n8-54	Voltage Error Compensation Time Constant	0.00 to 10.00	1.00 s	×	×	○	
Display Settings	n8-55	Load Inertia	0 to 3	0	×	×	○	
	n8-62*2	Output Voltage Limit	0.0 to 230.0	200.0 V	×	×	○	
	n8-65	Speed Feedback Detection Control Gain during ov Suppression	0.00 to 10.00	1.50	×	×	○	
Operator Keypad Functions	o1-01	Drive Mode Unit Monitor Selection	104 to 621	106	○	○	○	
	o1-02	User Monitor Selection After Power Up	1 to 5	1	○	○	○	
	o1-03	Digital Operator Display Selection	0 to 3	0	○	○	○	
	o1-10	Frequency Reference Setting and User-Set Display	1 to 60000	dep. on drive capacity	○	○	○	
	o1-11	Frequency Reference Setting / Decimal Display	0 to 3	○	○	○	○	
	o2-01	LO/RE Key Function Selection	0,1	1	○	○	○	
Operator Keypad Functions	o2-02	STOP Key Function Selection	0,1	1	○	○	○	
	o2-03	User Parameter Default Value	0 to 2	0	○	○	○	
	o2-04	Drive Model Selection	0 to FF	dep. on drive capacity	○	○	○	
	o2-05	Frequency Reference Setting Method Selection	0,1	0	○	○	○	
	o2-06	Operation Selection when Digital Operator is Disconnected	0,1	0	○	○	○	

Function	No.	Name	Range	Def*1	Control Mode		
					V/f	OLV	PM
Operator Keypad Functions	o2-07	Motor Direction at Power Up when Using Operator	0,1	0	○	○	○
	o2-09	Initialization mode	0 to 3	dep. on drive spec.	○	○	○
Operator Keypad Functions	o3-01	Copy Function Selection	0 to 3	0	○	○	○
	o3-02	Copy Allowed Selection	0, 1	0	○	○	○
Maintenance Period	o4-01	Accumulated Operation Time Setting	0 to 9999	0	○	○	○
	o4-02	Accumulated Operation Time Selection	0,1	0	○	○	○
	o4-03	Cooling Fan Operation Time Setting	0 to 9999	0	○	○	○
	o4-05	Capacitor Maintenance Setting	0 to 150	0%	○	○	○
	o4-07	Soft Charge Bypass Relay Maintenance Setting	0 to 150	0%	○	○	○
	o4-09	IGBT Maintenance Setting	0 to 150	0%	○	○	○
	o4-11	U2, U3 Initialize Selection	0,1	0	○	○	○
	o4-12	kWh Monitor Initialize Selection	0,1	0	○	○	○
	o4-13	Number of Run Commands Initialize Selection	0,1	0	○	○	○
	DWEZ Parameters	q1-01 to q6-07	DWEZ Parameters	-	-	○	○
DWEZ Connection Parameters	r1-01	DWEZ Connection Parameter 1 (upper)		0	×	○	○
	r1-02	DWEZ Connection Parameter 1 (lower)		0	×	○	○
	r1-03	DWEZ Connection Parameter 2 (upper)		0	×	○	○
	r1-04	DWEZ Connection Parameter 2 (lower)		0	×	○	○
	r1-05	DWEZ Connection Parameter 3 (upper)		0	×	○	○
	r1-06	DWEZ Connection Parameter 3 (lower)		0	×	○	○
	r1-07	DWEZ Connection Parameter 4 (upper)		0	×	○	○
	r1-08	DWEZ Connection Parameter 4 (lower)		0	×	○	○
	r1-09	DWEZ Connection Parameter 5 (upper)		0	×	○	○
	r1-10	DWEZ Connection Parameter 5 (lower)		0	×	○	○
	r1-11	DWEZ Connection Parameter 6 (upper)		0	×	○	○
	r1-12	DWEZ Connection Parameter 6 (lower)		0	×	○	○
	r1-13	DWEZ Connection Parameter 7 (upper)		0	×	○	○
	r1-14	DWEZ Connection Parameter 7 (lower)		0	×	○	○
	r1-15	DWEZ Connection Parameter 8 (upper)		0	×	○	○
	r1-16	DWEZ Connection Parameter 8 (lower)		0	×	○	○
	r1-17	DWEZ Connection Parameter 9 (upper)		0	×	○	○
	r1-18	DWEZ Connection Parameter 9 (lower)		0	×	○	○
	r1-19	DWEZ Connection Parameter 10 (upper)		0	×	○	○
	r1-20	DWEZ Connection Parameter 10 (lower)		0	×	○	○
	r1-21	DWEZ Connection Parameter 11 (upper)	0000 to FFFF(H)	0	×	○	○
	r1-22	DWEZ Connection Parameter 11 (lower)		0	×	○	○
	r1-23	DWEZ Connection Parameter 12 (upper)		0	×	○	○
	r1-24	DWEZ Connection Parameter 12 (lower)		0	×	○	○
	r1-25	DWEZ Connection Parameter 13 (upper)		0	×	○	○
	r1-26	DWEZ Connection Parameter 13 (lower)		0	×	○	○
	r1-27	DWEZ Connection Parameter 14 (upper)		0	×	○	○
	r1-28	DWEZ Connection Parameter 14 (lower)		0	×	○	○
	r1-29	DWEZ Connection Parameter 15 (upper)		0	×	○	○
	r1-30	DWEZ Connection Parameter 15 (lower)		0	×	○	○
	r1-31	DWEZ Connection Parameter 16 (upper)		0	×	○	○
	r1-32	DWEZ Connection Parameter 16 (lower)		0	×	○	○
	r1-33	DWEZ Connection Parameter 17 (upper)		0	×	○	○
	r1-34	DWEZ Connection Parameter 17 (lower)		0	×	○	○
	r1-35	DWEZ Connection Parameter 18 (upper)		0	×	○	○
	r1-36	DWEZ Connection Parameter 18 (lower)		0	×	○	○
	r1-37	DWEZ Connection Parameter 19 (upper)		0	×	○	○
	r1-38	DWEZ Connection Parameter 19 (lower)		0	×	○	○
	r1-39	DWEZ Connection Parameter 20 (upper)		0	×	○	○
	r1-40	DWEZ Connection Parameter 20 (lower)		0	×	○	○
Motor Tuning	T1-00	Motor Selection 1/2	1,2	1	○	○	×
	T1-01	Auto-Tuning Mode Selection	0,2,3	dep. on drive capacity	○	○	×
	T1-02	Motor Rated Power	0.00 to 650.00	○	○	○	×
	T1-03*2	Motor Rated Voltage	0.0 to 255.5	200.0 V	○	○	×
	T1-04	Motor Rated Current	10 to 200% of drive rated current	dep. on drive capacity	○	○	×
	T1-05	Motor Base Frequency	0.0 to 400.0	60.0 Hz	○	○	×
	T1-06	Number of Motor Poles	2 to 48	4	○	○	×
	T1-07	Motor Base Speed	0 to 24000	1750 r/min	○	○	×
	T1-11	Motor Iron Loss	0 to 65535	14 W	○	×	×

*1: Default setting depends on the control mode.

*2: Values shown here are for 200 V class drives. Double the value when using a 400 V class drive.

Basic Instructions

Outstanding operability! Separate settings for each application enables quick set-up.

Operator Names and Functions

Data display (5-digit)
Displays frequency, parameter number, and other data.

LO/RE light
Lights to indicate that the operator is set for LOCAL.

ESC key
Lets the user back up to the previous display screen.

Right arrow key
Scrolls the cursor to the right.

RESET key
Resets a fault.

RUN light
Lights when the Run command is present.

RUN key
Issues a Run command.

Glossary
Used as a quick guide for the abbreviations used on the display screen. Details listed on the next page.

LED panel
More information listed below.

LO/RE key
Determines where the Run command and frequency reference come from: the keypad (LOCAL) or the control terminals (REMOTE).

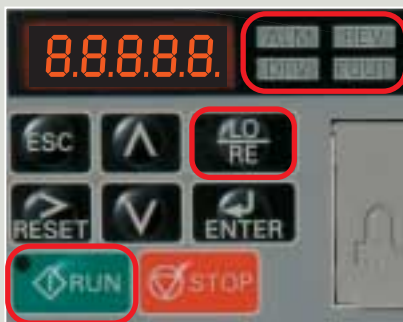
ENTER key
Press to enter values, edit parameters, and set the control mode. Press this key to proceed to the next screen when scrolling through various menu displays.

Com port
For connecting to a PC (DriveWizard or DriveWork-eZ), a USB copy unit or a LCD operator.

Up arrow key
Scrolls up through the display screen, and increases a selected value.

Down arrow key
Scrolls down through the display screen, and decreases a selected value.

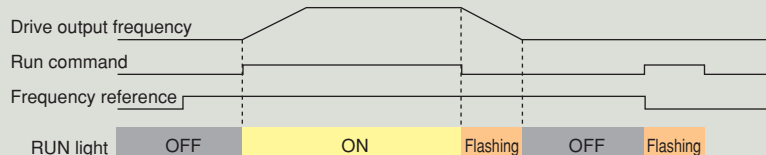
STOP key
Issues a Stop command.



LED Display Guide

LED	ON	Flashing	OFF
ALM	A fault has occurred.	<ul style="list-style-type: none"> Alarm situation detected. Operator error (OPE) Auto-Tuning fault occurred. 	Normal operation
REV	Motor is rotating in reverse.	—	Motor is rotating forward.
DRV	<ul style="list-style-type: none"> In the "Drive Mode" Executing Auto-Tuning 	DriveWorksEZ is connected.	Programming Mode
FOUT	Output frequency	—	—
RE	Run command assigned to the operator (LOCAL)	—	Control assigned to remote location
RUN	During run	<ul style="list-style-type: none"> During deceleration Run command is present but the frequency reference is zero. 	Drive is stopped.

How the RUN light works:



Operation Example

Using the LED Operator to Run the Drive

Steps	Key	Result/Display
1 Turn the power on.		F 0.00
2 Set the drive for LOCAL. The frequency reference is displayed.		LO should light. F 0.00
3 Displays the direction (forward).		For
4 Displays the output frequency.		0.00
5 Displays the output current.		0.00A
6 Displays the output voltage.		0.00V
7 Displays the beginning of the Monitor Menu.		flashing r7on
8 Displays the top of the Verify Menu.		flashing urF4
9 Displays the top of the Setup Mode.		flashing srUP
10 Displays the top of the parameter settings menu.		PAR
11 Displays the top of the Auto-Tuning Mode.		ATUn
Returns back to the frequency reference display.		

Value will flash when it is possible to change the setting.

Drive Mode: Run and Stop commands, displays operation status such as the frequency reference, output frequency, output current, output voltage, etc.

How to Monitor the Frequency Reference

Steps	Key	Result/Display
Use the arrow keys to select the digits to set.		F00.00
		F00.00
Press enter to save the new value.		F06.00
		F06.00
		F06.00 DRV DRV lights up.

Monitor Mode: Displays operation status and information on faults.

Steps	Key	Result/Display
Selecting a Monitor for Display.		U1-01
		6.00
Displays U1-01, the frequency reference monitor.		U1-01
		U1-02
Re-select the monitor display menu.		U1-01
		U1-26
Back up to the top of the Monitor Menu.		r7on
		r7on

Verify Menu: Lists all parameters that have been changed from their original default settings, either by the user or from Auto-Tuning.

Steps	Key	Result/Display
Lists parameters that have been changed in order.		C1-01
		00030
Pressing Enter displays the parameter value.		C1-01
		C1-02
Parameters that have been changed from their default values are listed in order.		C1-01
		C6-02
Returns to the top of the Verify Menu.		urF4
		urF4

Press to go back to the previous display screen.

Setup Mode

The list of Applications Presets can be accessed in the Setup Mode. Each Application Preset automatically programs drive parameters to their optimal settings specific to the application selected. All parameters affected by the Application Preset are then listed as Preferred Parameters for quick access. Selecting a Water Supply Pump (A1-06=1)

Steps	Key	Result/Display
Application Selection		APPL
		00
Select, "Water Supply Pump".		00
		01
All parameters relating to the preset values for a water supply pump application are then listed as Preferred Parameters.		APPL
		APPL

Scroll to the Preferred Parameter using the up arrow key and see which parameters have been selected.

Water Supply Pump Application Presets

No.	Parameter Name	Optimum Setting
A1-02	Control Method Selection	0: V/f control
b1-04	Reverse Operation Selection	1: Reverse disabled
C1-01	Acceleration Time 1	1.0 (s)
C1-02	Deceleration Time 1	1.0 (s)
C6-01	Normal/Heavy Duty Selection	1: Normal Duty (ND)
E1-03	V/f Pattern Selection	0F (H)
E1-07	Mid Output Frequency (FB)	30.0 (Hz)
E1-08	Mid Output Frequency Voltage (VC)	50.0 (V)
L2-01	Momentary Power Loss Operation Selection	1: Enabled
L3-04	Stall Prevention Selection during Deceleration	1: Enabled

Preferred Parameters

No.	Parameter Name	No.	Parameter Name
b1-01	Frequency Reference Selection 1	E1-08	Mid Output Frequency Voltage (VC)
b1-02	Run Command Selection 1	E2-01	Motor Rated Current
b1-04	Reverse Operation Selection	H1-05	Multi-Function Digital Input Terminal S5 Function Selection
C1-01	Acceleration Time 1	H1-06	Multi-Function Digital Input Terminal S6 Function Selection
C1-02	Deceleration Time 1	H1-07	Multi-Function Digital Input Terminal S7 Function Selection
E1-03	V/f Pattern Selection	L5-01	Number of Auto Restart Attempts
E1-07	Mid Output Frequency (FB)	--	--

Product Lineup

Number in parenthesis indicates the rated output current.

Motor Capacity kW	Three-Phase 200 V		Single-Phase 200 V		Three-Phase 400 V	
	Normal Duty	Heavy Duty	Normal Duty	Heavy Duty	Normal Duty	Heavy Duty
0.1		CIMR-VA2A0001 (0.8 A)		CIMR-VABA0001 (0.8 A)		
0.2	CIMR-VA2A0001 (1.2 A)	CIMR-VA2A0002 (1.6 A)	CIMR-VABA0001 (1.2 A)	CIMR-VABA0002 (1.6 A)		CIMR-VA4A0001 (1.2 A)
0.4	CIMR-VA2A0002 (1.9 A)	CIMR-VA2A0004 (3 A)	CIMR-VABA0002 (1.9 A)	CIMR-VABA0003 (3 A)	CIMR-VA4A0001 (1.2 A)	CIMR-VA4A0002 (1.8 A)
0.75	CIMR-VA2A0004 (3.5 A)	CIMR-VA2A0006 (5 A)	CIMR-VABA0003 (3.3 A)	CIMR-VABA0006 (5 A)	CIMR-VA4A0002 (2.1 A)	CIMR-VA4A0004 (3.4 A)
1.1	CIMR-VA2A0006 (6 A)	CIMR-VA2A0008 (6.9 A)	CIMR-VABA0006 (6 A)			
1.5	CIMR-VA2A0008 (8 A)	CIMR-VA2A0010 (8 A)		CIMR-VABA0010 (8 A)	CIMR-VA4A0004 (4.1 A)	CIMR-VA4A0005 (4.8 A)
2.2	CIMR-VA2A0010 (9.6 A)	CIMR-VA2A0012 (11 A)	CIMR-VABA0010 (9.6 A)	CIMR-VABA0012 (11 A)	CIMR-VA4A0005 (5.4 A)	CIMR-VA4A0007 (5.5 A)
3.0	CIMR-VA2A0012 (12 A)	CIMR-VA2A0018 (14 A)	CIMR-VABA0012 (12 A)		CIMR-VA4A0007 (6.9 A)	CIMR-VA4A0009 (7.2 A)
3.7	CIMR-VA2A0018 (17.5 A)	CIMR-VA2A0020 (17.5 A)		CIMR-VABA0018 (17.5 A)	CIMR-VA4A0009 (8.8 A)	CIMR-VA4A0011 (9.2 A)
5.5	CIMR-VA2A0020 (19.6 A)	CIMR-VA2A0030 (25 A)			CIMR-VA4A0011 (11.1 A)	CIMR-VA4A0018 (14.8 A)
7.5	CIMR-VA2A0030 (30 A)	CIMR-VA2A0040 (33 A)			CIMR-VA4A0018 (17.5 A)	CIMR-VA4A0023 (18 A)
11	CIMR-VA2A0040 (40 A)	CIMR-VA2A0056 (47 A)			CIMR-VA4A0023 (23 A)	CIMR-VA4A0031 (24 A)
15	CIMR-VA2A0056 (56 A)	CIMR-VA2A0069 (60 A)			CIMR-VA4A0031 (31 A)	CIMR-VA4A0038 (31 A)
18.5	CIMR-VA2A0069 (69 A)				CIMR-VA4A0038 (38 A)	

Model Number Key

CIMR- V A 2 A 0001 B A A

AC Drive V1000 Series

No.	Region Code	No.	Voltage Class	No.	Customized Specifications	No.	Output Current A	No.	Enclosure Type	No.	Environmental Specification
A	Japan	B	1-Phase, 200-240 Vac	A	Standard model		*See chart above.	B	IP20	A	Standard
		2	3-Phase, 200-240 Vac					F	NEMA1	M	Humidity, dust
		4	3-Phase, 380-480 Vac					J	Finless (IP20)	N	Oil
										S	Shock, vibration
										K	Gas

Design Revision Order

Note: Contact Yaskawa for more information on environmental tolerance specifications.

Optimizing Control for Each Application

V1000 offers two separate performance ratings: Normal Duty and Heavy Duty.

Heavy Duty is capable of creating more powerful torque, while Normal Duty allows the drive to operate a larger motor.

Difference between load ratings:

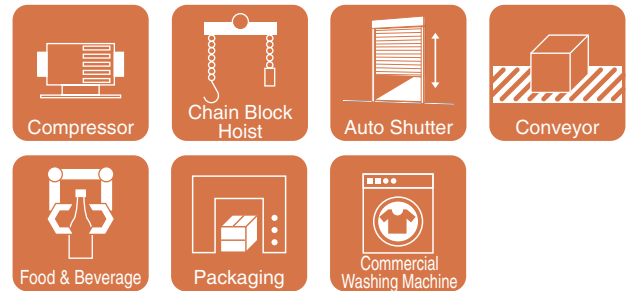
	Normal Duty Rating	Heavy Duty Rating
Parameter settings	C6-01 = 1 (default)	C6-01 = 0
Overload tolerance	120% for 60 s	150% for 60 s
Carrier frequency	Low carrier frequency*	High carrier frequency

*: Use Swing PWM to quiet undesirable motor noise generated when operating with a low carrier frequency.

Normal Duty Applications



Heavy Duty Applications

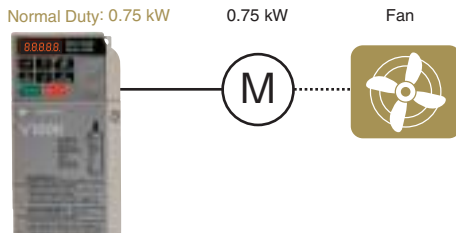


*The applications shown above can still use the ND rating, provided that the maximum torque required is no more than 120% for 60 s.

● Selecting a Drive

For a fan application using a 0.75 kW motor, select CIMR-VA2A0004 and set it for Normal Duty performance.

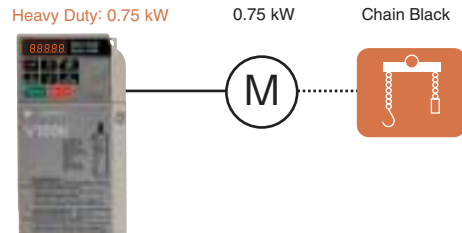
Model: CIMR-VA2A0004



● Selecting a Drive

For a chain block application using a 0.75 kW motor, select CIMR-VA2A0006 and set it for Heavy Duty performance.

Model: CIMR-VA2A0006



Use the table below to transition from VS mini V7 to the V1000 series.

Max. Applicable Motor Capacity kW	Power Supply Model	200 V				400 V	
		Three-Phase		Single-Phase		Three-Phase	
		VS mini V7 CIMR-V7AA2□□□□	V1000 CIMR-VA2A□□□□	VS mini V7 CIMR-V7AAB□□□□	V1000 CIMR-VABA□□□□	VS mini V7 CIMR-V7AA4□□□□	V1000 CIMR-VA4A□□□□
0.1		0P1	0001	0P1	0001	—	—
0.2		0P2	0002	0P2	0002	0P2	0001
0.4		0P4	0004	0P4	0003	0P4	0002
0.75		0P7	0006	0P7	0006	0P7	0004
1.5		1P5	0010	1P5	0010	1P5	0005
2.2		2P2	0012	2P2	0012	2P2	0007
3.7		3P7	0020	3P7	0018	3P7	0011
5.5		5P5	0030	—	—	5P5	0018
7.5		7P5	0040	—	—	7P5	0023
11		—	0056	—	—	—	0031
15		—	0069	—	—	—	0038

Common Specifications

Rotational Auto-Tuning must be performed to achieve the performance described with Open Loop Vector Control.

Item		Specifications
Control Characteristics	Control Method	Open Loop Vector Control (Current Vector), V/f Control, PM Open Loop Vector Control (for SPM and IPM motors)
	Frequency Control Range	0.01 to 400 Hz
	Frequency Accuracy (Temperature Fluctuation)	Digital input: within $\pm 0.01\%$ of the max. output frequency (-10 to $+50^{\circ}\text{C}$)
		Analog input: within $\pm 0.1\%$ of the max. output frequency ($25^{\circ}\text{C} \pm 10^{\circ}\text{C}$)
	Frequency Setting Resolution	Digital input: 0.01 Hz
		Analog input: 1/1000 of max. frequency
	Output Frequency Resolution	20 bit of maximum output frequency (parameter E1-04 setting)
	Frequency Setting Resolution	Main frequency reference: 0 to $+10$ Vdc (20 k Ω), 4 to 20 mA (250 Ω), 0 to 20 mA (250 Ω) Main speed reference : Pulse Train Input (max. 32 kHz)
	Starting Torque	200% / 0.5 Hz (assumes Heavy Duty rating IM of 3.7 kW or less using Open Loop Vector Control), 50% / 6 Hz (assumes PM Open Loop Vector Control)
	Speed Control Range	1:100 (Open Loop Vector Control), 1:20 to 40 (V/f Control), 1:10 (PM Open Loop Vector Control)
	Speed Control Accuracy	$\pm 0.2\%$ in Open Loop Vector Control ($25^{\circ}\text{C} \pm 10^{\circ}\text{C}$) *1
	Speed Response	5 Hz in Open Loop Vector ($25^{\circ}\text{C} \pm 10^{\circ}\text{C}$) (excludes temperature fluctuation when performing Rotational Auto-Tuning)
	Torque Limit	Open Loop Vector Control allows separate settings in four quadrants
	Accel/Decel Time	0.0 to 6000.0 s (4 selectable combinations of independent acceleration and deceleration settings)
Protection Function	Braking Torque	① Short-time decel torque*2: over 150% for 0.1/0.2 kW motors, over 100% for 0.4/ 0.75 kW motors, over 50% for 1.5 kW motors, and over 20% for 2.2 kW and above motors (overexcitation braking/High-Slip Braking: approx. 40%) ② Continuous regen. torque: approx. 20% (approx. 125% with dynamic braking resistor option*3: 10% ED, 10 s, internal braking transistor)
	V/f Characteristics	User-selected programs, V/f preset patterns possible
	Main Control Functions	Momentary power loss ride-thru, Speed search, Overtorque detection, Torque limit, 17-step speed (max), Accel/decel time switch, S-curve accel/decel, 3-wire sequence, Auto-tuning (rotational, stationary tuning for resistance between lines), Dwell, Cooling fan on/off switch, Slip compensation, Torque compensation, Frequency jump, Upper/lower limits for frequency reference, DC injection braking at start and stop, Overexcitation braking, High slip braking, PID control (with sleep function), Energy saving control, MEMOBUS comm. (RS-485/422 max, 115.2 kbps), Fault restart, Application presets, DriveWorksEZ (customized function), Removable terminal block with parameter backup function...
Protection Function	Motor Protection	Motor overheat protection based on output current
	Momentary Overcurrent Protection	Drive stops when output current exceeds 200% of Heavy Duty Rating
	Overload Protection	Drive stops after 60 s at 150% of rated output current (Heavy Duty Rating)*4
	Overvoltage Protection	200 V class: Stops when DC bus exceeds approx. 410 V
		400 V class: Stops when DC bus exceeds approx. 820 V
	Undervoltage Protection	Stops when DC bus voltage falls below the following levels: Three-phase 200 V class: approx. 190 V, single-phase 200 V class: approx. 160 V, three-phase 400 V class: approx. 380 V, three-phase 380 V class: approx. 350 V
	Momentary Power Loss Ride-Thru	Stops after approx. 15 ms (default). Parameter settings allow the drive to continue running if power loss lasts for up to approx. 2 s *5
	Heatsink Overheat Protection	Protection by thermistor
	Braking Resistance Overheat Protection	Overheat sensor for braking resistor (optional ERF-type, 3% ED)
	Stall Prevention	Separate settings allowed during acceleration, and during run. Enable/disable only during deceleration.
Ground Fault Protection	Protection by electronic circuit *6	
Operating Environment	Charge LED	Charge LED remains lit until DC bus has fallen below approx. 50 V
	Area of Use	Indoors
	Ambient Temperature	-10 to $+50^{\circ}\text{C}$ (open chassis), -10 to $+40^{\circ}\text{C}$ (NEMA Type 1)
	Humidity	95 RH% or less (no condensation)
	Storage Temperature	-20 to $+60^{\circ}\text{C}$ (short-term temperature during transportation)
	Altitude	Up to 1000 meters
Safety Standard	Shock	10 to less than 20 Hz (9.8 m/s ²) max., 20 to 55 Hz (5.9 m/s ²) max.
	Safety Standard	UL508C, EN954-1 Cat. 3, IEC/EN61508 SIL2
	Protection Design	IP20 open-chassis, NEMA Type 1 enclosure

*1: Speed control accuracy may vary slightly depending on installation conditions or motor used.

*2: Momentary average deceleration torque refers to the deceleration torque from 60Hz down to 0 Hz. This may vary depending on the motor.

*3: If L3-04 is enabled when using a braking resistor or braking resistor unit, the motor may not stop within the specified deceleration time.

*4: Overload protection may be triggered at lower levels if output frequency is below 6 Hz.

*5: Varies by drive capacity. Drives smaller than 7.5 kW (CIMR-VA2A0004/CIMR-VA4A0023) require a separate Momentary Power Loss Recovery Unit to continue operating during a momentary power loss of 2 s.

*6: Protection may not be provided under the following conditions as the motor windings are grounded internally during run:

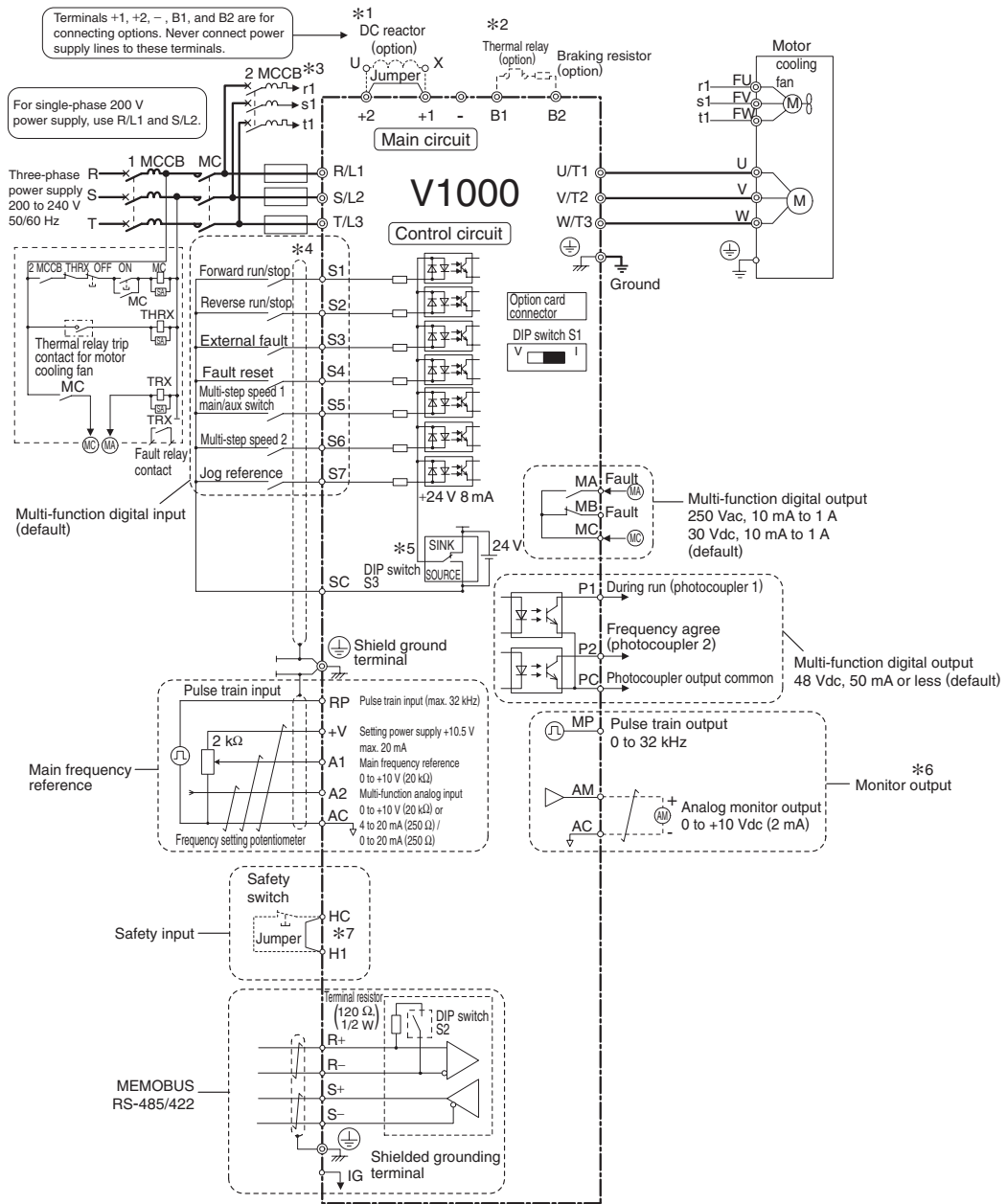
- Low resistance to ground from the motor cable or terminal block.
- Drive already has a short-circuit when the power is turned on.



Standard Connection Diagram

Standard Connection Diagram

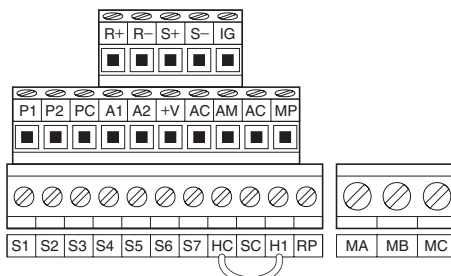
Example: 200 V Class



Shield wires, Shielded twisted-pair wires
Terminal symbols: ⊙ shows main circuit; ○ shows control circuit.

- *1: Remove the jumper between terminals +1 and +2 when installing an optional DC reactor.
 - *2: The MC on the input side of the main circuit should open when the thermal relay is triggered.
 - *3: Self-cooled motors do not require separate cooling fan motor wiring.
 - *4: Connected using sequence (0 V com/sink mode) input signal (S1 to S7) from NPN transistor (default).
 - *5: Sinking mode requires an internal 24 V power supply. Source mode requires an external power supply.
 - *6: Monitor outputs work with devices such as analog frequency meters, current meters, voltmeters and watt meters. They cannot be used in a control system requiring feedback.
 - *7: When using an external switch to stop the drive as a safety precaution, make sure the jumper creating the short circuit has been removed. Output is interrupted within 1 ms after the safety input is triggered. Make sure safety input wiring does not exceed 30 m.
- Note: Input terminal functions may change when Application Presets are used.

Control Circuit and Terminal Layout



Terminal Functions

Main Circuit Terminals

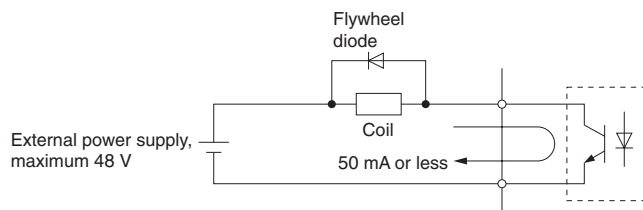
Terminal	Terminal Name	Function (Signal Level)
R/L1	Main circuit power supply input	Connects line power to the drive. Drives with single-phase 200 V input power use terminals R/L1 and S/L2 only (do not use T/L3).
S/L2		
T/L3		
U/T1	Drive output	Connects to the motor.
V/T2		
W/T3		
B1	Braking resistor	Available for connecting a braking resistor.
B2		
+1	DC reactor connection	These terminals are shorted for shipment. Remove the jumper creating the short to install a DC choke.
+2		
+1		
+	DC power supply input	For connecting a DC power supply. DC power supply input terminals (+1, -) are not UL/cUL and CE certified.
-		
⊕ Two terminals	Ground	Grounding terminal Grounding resistance for 200 V class: 100 Ω or less Grounding resistance for 400 V class: 10 Ω or less

Control Circuit Input Terminals

Terminal	No.	Terminal Name	Function (Signal Level)
Multi-function digital input	S1	Multi-function input 1	Photocoupler 24 Vdc, 8 mA Note: Drive preset to sinking mode. When using source mode, set DIP switch S3 to allow for a 24 Vdc (±10%) external power supply.
	S2	Multi-function input 2	
	S3	Multi-function input 3	
	S4	Multi-function input 4	
	S5	Multi-function input 5	
	S6	Multi-function input 6	
	S7	Multi-function input 7	
	SC	Multi-function input common (Control common)	
Main frequency reference input	RP	Multi-function pulse train input	Input frequency: 0.5 to 32 kHz (Duty cycle: 30 to 70%) (High level voltage: 3.5 to 13.2 V) (Low level voltage: 0.0 to 0.8 V) (Input impedance: 3 kΩ)
	+V	Analog input power supply	+10.5 V (max. allowable current 20 mA)
	A1	Main frequency reference	Input voltage 0 to +10 Vdc (20 kΩ) resolution: 1/1000 (DIP switch S1)
	A2	Multi-function analog input	Input voltage or input current 0 to +10 Vdc (20 kΩ) resolution: 1/1000 4 to 20 mA or 0 to 20 mA (250 Ω) resolution: 1/500
	AC	Frequency reference common	0 V
Hardware baseblock	HC	Power supply for hardware baseblock command	+24 Vdc (max. 10 mA allowed) Note: Remove the jumper when an external safety switch is installed to stop the drive. Output is interrupted within 1 ms after the safety input is triggered. Make sure safety input wiring does not exceed 30 m.
	H1	Safety Input	Open: Hardware baseblock Closed: Normal operation
Multi-function digital output*1	MA	N.O. output	Digital output 30 Vdc, 10 mA to 1 A 250 Vac, 10 mA to 1 A
	MB	N.C. output	
	MC	Digital output common	
Multi-function photocoupler output	P1	Photocoupler output 1	Photocoupler output *2 48 Vdc, 50 mA (or less)
	P2	Photocoupler output 2	
	PC	Photocoupler output common	
Monitor output	MP	Pulse train output	32 kHz (max.)
	AM	Analog monitor output	0 to 10 Vdc (2 mA or less) Resolution: 1/1000
	AC	Monitor common	0 V

*1: Refrain from assigning functions to terminals MA and MB that involve frequent switching, as doing so may shorten relay performance life. Switching life is estimated at 200,000 times (assumes 1 A, resistive load).

*2: Connect a flywheel diode as shown in the figure on the right when driving a reactive load such as a relay coil. Make sure the diode rating is greater than the circuit voltage.



Serial Communication Terminals

Type	No.	Terminal Name	Function (Signal Level)
MEMOBUS communication	R+	Communications input (+)	MEMOBUS communication: · Use a RS-485 or RS-422 cable to connect the drive. · RS-485/422 MEMOBUS communication protocol 115.2 kbps (max.)
	R-	Communications input (-)	
	S+	Communications output (+)	
	S-	Communications output (-)	
	IG	Shielded ground	0 V



Dimensions

Enclosures

Enclosures of standard products vary depending on the model. Refer to the table below.

200 V Class (Single/Three-Phase)

Model	Three-Phase CIMR-VA2A	0001	0002	0004	0006	0008	0010	0012	0018	0020	0030	0040	0056	0069	
	Single-Phase CIMR-VABA	0001	0002	0003	0006	-	0010	0012	-	0018*	-	-	-	-	
Max. Applicable Motor Capacity	kW	Normal Duty	0.2	0.4	0.75	1.1	1.5	2.2	3	3.7	5.5	7.5	11	15	18.5
		Heavy Duty	0.1	0.2	0.4	0.75	1.1	1.5	2.2	3	3.7	5.5	7.5	11	15
Open-Chassis		Standard: IP20									IP00 (without top and bottom covers)				
Enclosure Panel [NEMA Type 1]		Option available (IP20 with NEMA 1 kit)									Standard				

400 V Class (Three-Phase)

Model	CIMR-VA4A	0001	0002	0004	0005	0007	0009	0011	0018	0023	0031	0038	
Max. Applicable Motor Capacity	kW	Normal Duty	0.4	0.75	1.5	2.2	3	3.7	5.5	7.5	11	15	18.5
		Heavy Duty	0.2	0.4	0.75	1.5	2.2	3	3.7	5.5	7.5	11	15
Open-Chassis		Standard: IP20									IP00 (without top and bottom covers)		
Enclosure Panel [NEMA Type 1]		Option available (IP20 with NEMA 1 kit)									Standard		

*: CIMR-VABA0018 does not have a Normal Duty rating

Open-Chassis [IP20]

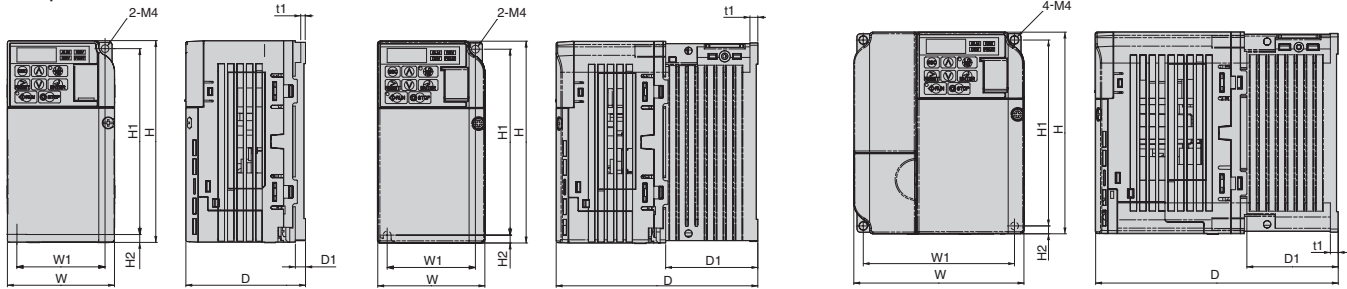


Figure 1

Figure 2

Figure 3

Voltage Class	Model CIMR- VA	Figure	Dimensions (mm)									Weight (kg)	Cooling	
			W	H	D	W1	H1	H2	D1	t1	Mtg. Holes			
200 V Class (Three-Phase)	2A0001B	1	68	128	76	56	118	5	6.5	3	M4	0.6	Self-cooled	
	2A0002B		68	128	76	56	118	5	6.5	3	M4	0.6		
	2A0004B	2	68	128	108	56	118	5	38.5	5	M4	0.9		
	2A0006B		68	128	128	56	118	5	58.5	5	M4	1.1		
	2A0008B	3	108	128	129	96	118	5	58	5	M4	1.7		Fan cooled
	2A0010B		108	128	129	96	118	5	58	5	M4	1.7		
	2A0012B		108	128	137.5	96	118	5	58	5	M4	1.7		
	2A0018B		140	128	143	128	118	5	65	5	M4	2.4		
2A0020B	140	128	143	128	118	5	65	5	M4	2.4				
200 V Class (Single-Phase)	BA0001B	1	68	128	76	56	118	5	6.5	3	M4	0.6	Self-cooled	
	BA0002B		68	128	76	56	118	5	6.5	3	M4	0.6		
	BA0003B	2	68	128	118	56	118	5	38.5	5	M4	1		
	BA0006B	3	108	128	137.5	96	118	5	58	5	M4	1.7		
	BA0010B		108	128	154	96	118	5	58	5	M4	1.8		
	BA0012B		140	128	163	128	118	5	65	5	M4	2.4		
	BA0018B		170	128	180	158	118	5	65	5	M4	3		
400 V Class (Three-Phase)	4A0001B	3	108	128	81	96	118	5	10	5	M4	1	Self-cooled	
	4A0002B		108	128	99	96	118	5	28	5	M4	1.2		
	4A0004B		108	128	137.5	96	118	5	58	5	M4	1.7		
	4A0005B		108	128	154	96	118	5	58	5	M4	1.7		
	4A0007B		108	128	154	96	118	5	58	5	M4	1.7	Fan cooled	
	4A0009B		108	128	154	96	118	5	58	5	M4	1.7		
	4A0011B		140	128	143	128	118	5	65	5	M4	2.4		

■ Enclosure Panel [NEMA Type 1]

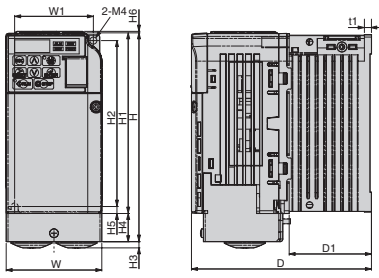


Figure 1

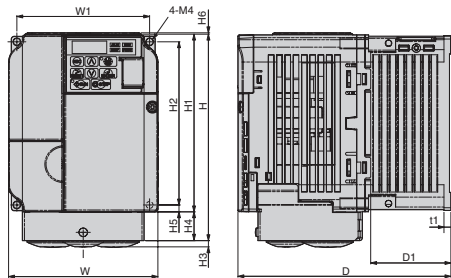


Figure 2

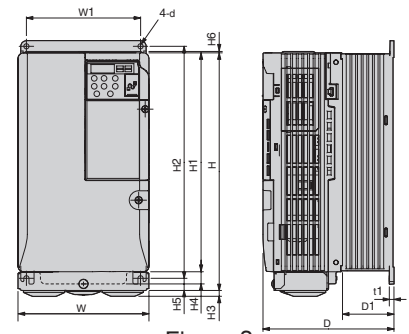


Figure 3

Voltage Class	Model CIMR-VA	Figure	Dimensions (mm)													Weight (kg)	NEMA 1 Kit Code No.
			W1	H2	W	H1	D	t1	H5	D1	H	H4	H3	H6	d		
200 V Class (Three-Phase)	2A0001B	1	56	118	68	128	76	3	5	6.5	148	20	4.4	1.5	M4	0.8	100-036-378
	2A0002B		56	118	68	128	76	3	5	6.5	148	20	4.4	1.5	M4	0.8	
	2A0004B		56	118	68	128	108	5	5	38.5	148	20	4.4	1.5	M4	1.1	
	2A0006B		56	118	68	128	128	5	5	58.5	148	20	4.4	1.5	M4	1.3	
	2A0008B	2	96	118	108	128	129	5	5	58	148.9	20.9	4.4	1.5	M4	1.9	100-036-380
	2A0010B		96	118	108	128	129	5	5	58	148.9	20.9	4.4	1.5	M4	1.9	
	2A0012B		96	118	108	128	137.5	5	5	58	148.9	20.9	4.4	1.5	M4	1.9	
	2A0018B		128	118	140	128	143	5	5	65	148.9	20.9	4.5	5	M4	2.6	
	2A0020B		128	118	140	128	143	5	5	65	148.9	20.9	4.5	5	M4	2.6	
	2A0030F		3	122	248	140	234	140	5	13	55	254	13	6	1.5	M5	
2A0040F	122	248		140	234	140	5	13	55	254	13	6	1.5	M5	3.8		
2A0056F	160	284		180	270	163	5	13	75	290	15	6	1.5	M5	5.5		
2A0069F	192	336		220	320	187	5	22	78	350	15	7	1.5	M6	9.2		
200 V Class (Single-Phase)	BA0001B	1	56	118	68	128	76	3	5	6.5	148	20	4.4	1.5	M4	0.8	100-036-378
	BA0002B		56	118	68	128	76	3	5	6.5	148	20	4.4	1.5	M4	0.8	
	BA0003B		56	118	68	128	118	5	5	38.5	148	20	4.4	1.5	M4	1.2	
	BA0006B	2	96	118	108	128	137.5	5	5	58	148.9	20.9	4.4	1.5	M4	1.9	100-036-381
	BA0010B		96	118	108	128	154	5	5	58	148.9	20.9	4.5	1.5	M4	2	
	BA0012B		128	118	140	128	163	5	5	65	148.9	20.9	4.5	5	M4	2.6	
BA0018B	158	118	170	128	180	5	5	65	166	38	4.5	5	M4	3.3	100-036-386		
400 V Class (Three-Phase)	4A0001B	2	96	118	108	128	81	5	5	10	148.9	20.9	4.4	1.5	M4	1.2	100-036-380
	4A0002B		96	118	108	128	99	5	5	28	148.9	20.9	4.4	1.5	M4	1.4	
	4A0004B		96	118	108	128	137.5	5	5	58	148.9	20.9	4.4	1.5	M4	1.9	
	4A0005B		96	118	108	128	154	5	5	58	148.9	20.9	4.5	1.5	M4	1.9	
	4A0007B		96	118	108	128	154	5	5	58	148.9	20.9	4.5	1.5	M4	1.9	
	4A0009B		96	118	108	128	154	5	5	58	148.9	20.9	4.5	1.5	M4	1.9	
	4A0011B	128	118	140	128	143	5	5	65	148.9	20.9	4.5	5	M4	2.6	100-036-384	
	4A0018F	3	122	248	140	234	140	5	13	55	254	13	6	1.5	M5	3.8	Not required (Standard)
	4A0023F		122	248	140	234	140	5	13	55	254	13	6	1.5	M5	3.8	
	4A0031F		160	284	180	270	143	5	13	55	290	15	6	1.5	M5	5.2	
4A0038F	160		284	180	270	163	5	13	75	290	15	6	1.5	M5	5.5		

Note: For the models shown in Figures 1 and 2, the NEMA 1 kit (option) is required.
The dimensions in the above table are intended for the IP20/Open Chassis enclosure with the NEMA 1 kit.



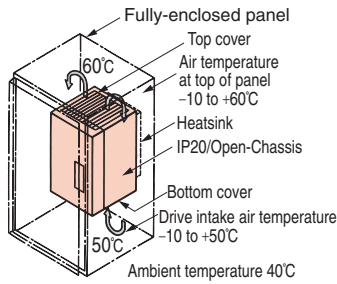
Fully-Enclosed Design

The Open Chassis type drive can be installed in a fully-enclosed panel.

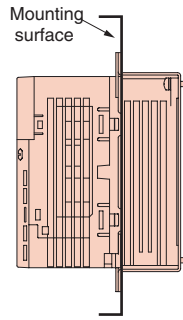
The heatsink can be mounted outside the enclosure panel, thus reducing the amount of heat inside the panel and allowing for a more compact set up. Proper installation requires an understanding of the temperature at each point within the enclosure panel as shown below.

Be sure to leave enough clearance during installation for ventilation and proper cooling as well as access to wiring for maintenance.

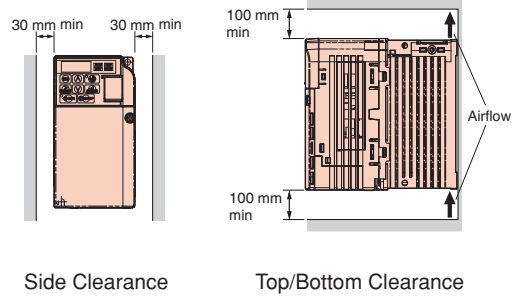
Cooling Design for Fully-Closed Enclosure Panel



Mounting the External Heatsink



Ventilation Space



- Note: 1. A separate mounting bracket option is required to install the heatsink outside the enclosure. Refer to the following page.
 2. The Enclosure Panel type models (CIMR-VA2A0030 to 0069, CIMR-VA4A0018 to 0038) can be installed with the top and bottom covers removed.

Drive Watts Loss Data

Normal Duty Ratings

Voltage Class	Model Number		0001	0002	0004	0006	0008	0010	0012	0018	0020	0030	0040	0056	0069	
200 V Class (Three-Phase)	CIMR-VA2A	Rated Output Current A	1.2	1.9	3.5	6.0	8.0	9.6	12.0	17.5	19.6	30.0	40.0	56.0	69.0	
		Heat Loss W	Heatsink	5.0	7.6	15.8	27.5	44.6	51.7	61.3	89.8	98.7	246.4	266.7	357.9	461.7
			Internal	8.0	9.5	13.6	17.2	24.0	25.8	30.4	44.1	46.3	88.9	112.8	151.8	184.5
			Total Heat Loss	13.0	17.1	29.4	44.7	68.6	77.5	91.7	133.9	145.0	335.3	379.5	509.7	646.2
200 V Class (Single-Phase)	CIMR-VABA	Rated Output Current A	1.2	1.9	3.3	6.0	—	9.6	12.0	—	—	—	—	—	—	
		Heat Loss W	Heatsink	5.0	7.6	14.6	30.1	—	51.7	61.3	—	—	—	—	—	—
			Internal	8.5	9.7	14.4	19.4	—	29.8	37.1	—	—	—	—	—	—
			Total Heat Loss	13.5	17.3	29.0	49.5	—	81.5	98.4	—	—	—	—	—	—
400 V Class (Three-Phase)	CIMR-VA4A	Rated Output Current A	1.2	2.1	4.1	5.4	—	6.9	8.8	—	11.1	17.5	23.0	31.0	38.0	
		Heat Loss W	Heatsink	10.0	18.5	30.5	44.5	—	58.5	63.7	—	81.7	181.2	213.4	287.5	319.2
			Internal	9.6	13.9	16.8	21.8	—	28.5	31.4	—	46.0	80.1	107.7	146.1	155.8
			Total Heat Loss	19.6	32.4	47.3	66.3	—	87.0	95.1	—	127.7	261.3	321.1	433.6	475.0

Note: Heat loss data based on carrier frequency of 2 kHz (default).

Heavy Duty Ratings

Voltage Class	Model Number		0001*1	0002*1	0004*1	0006*1	0008*1	0010*2	0012*2	0018*2	0020*2	0030*2	0040*2	0056*2	0069*2	
200 V Class (Three-Phase)	CIMR-VA2A	Rated Output Current A	0.8	1.6	3.0	5.0	6.9	8.0	11.0	14.0	17.5	25.0	33.0	47.0	60.0	
		Heat Loss W	Heatsink	4.3	7.9	16.1	27.4	48.7	54.8	70.7	92.6	110.5	231.5	239.5	347.6	437.7
			Internal	7.3	8.8	11.5	15.9	22.2	23.8	30.0	38.8	43.3	72.2	81.8	117.6	151.4
			Total Heat Loss	11.6	16.7	27.6	43.3	70.9	78.6	100.7	131.4	153.8	303.7	321.3	465.2	589.1
200 V Class (Single-Phase)	CIMR-VABA	Rated Output Current A	0.8	1.6	3.0	5.0	—	8.0	11.0	—	17.5	—	—	—	—	
		Heat Loss W	Heatsink	4.3	7.9	16.1	33.7	—	54.8	70.7	—	110.5	—	—	—	—
			Internal	7.4	8.9	11.5	16.8	—	25.9	34.1	—	51.4	—	—	—	—
			Total Heat Loss	11.7	16.8	27.6	50.5	—	80.7	104.8	—	161.9	—	—	—	—
400 V Class (Three-Phase)	CIMR-VA4A	Rated Output Current A	1.2	1.8	3.4	4.8	—	5.5	7.2	—	9.2	14.8	18.0	24.0	31.0	
		Heat Loss W	Heatsink	19.2	28.9	42.3	70.7	—	81.0	84.6	—	107.2	166.0	207.1	266.9	319.1
			Internal	11.4	14.9	17.9	26.2	—	30.7	32.9	—	41.5	62.7	78.1	105.9	126.6
			Total Heat Loss	30.6	43.8	60.2	96.9	—	111.7	117.5	—	148.7	228.7	285.2	372.8	445.7

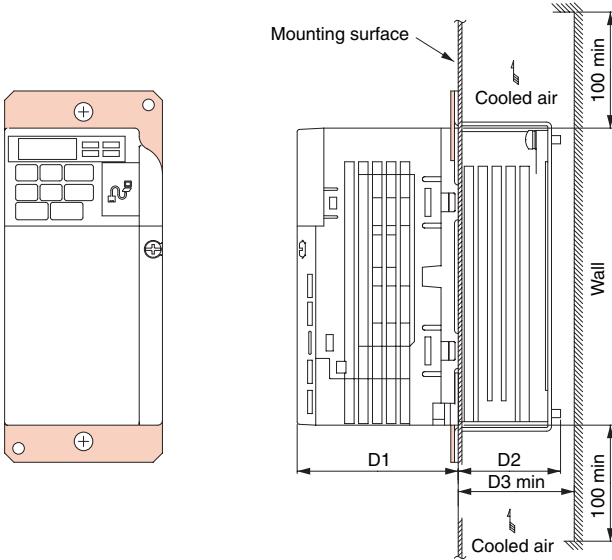
*1: Heat loss data based on carrier frequency of 10 kHz (default).

*2: Heat loss data based on carrier frequency of 8 kHz (default).

Attachment for External Heatsink

Additional attachments required for installation.
Final dimensions are taller than drive height.

Dimensions (Heatsink for a 200 V 0.4 kW drive)



Note: The Enclosure Panel type models (CIMR-VA2A0030 to 0069, CIMR-VA4A0018 to 0038) can be installed with the top and bottom covers removed.

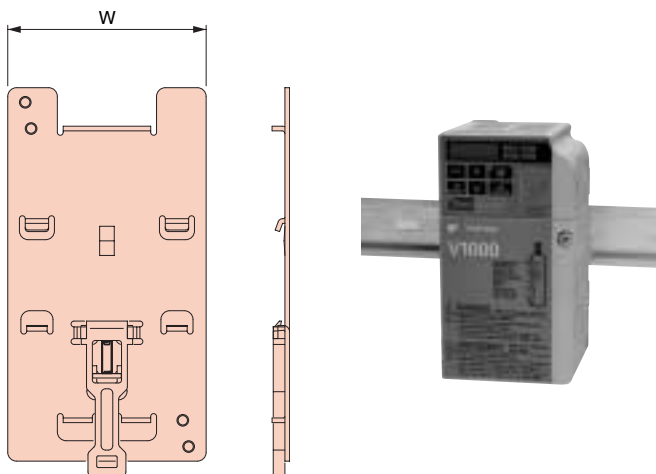
Model CIMR-VA:.....	Dimensions (mm)			Code No.
	D1	D2	D3	
2A0001	69.2	12	30	100-034-075
2A0002		42	50	
2A0004		62	70	
2A0006	71	58	70	100-034-079
2A0010				
2A0012				
2A0018	78	65	70	100-034-080
2A0020				
2A0030				
2A0040	86.5	53.5	60	100-036-300
2A0056				
2A0069				
2A0069	110.5	76.5	80	100-036-302
BA0001	69.2	12	30	100-034-075
BA0002				
BA0003				
BA0006	79.5	58	70	100-036-418
BA0010				
BA0012				
BA0018	96	65	70	100-034-079
BA0012				
BA0018				
BA0018	115	65	70	100-034-357
4A0001				
4A0002				
4A0002	71	28	40	100-036-418
4A0004				
4A0005				
4A0005	96	58	70	100-034-079
4A0007				
4A0009				
4A0011	78	65	70	100-034-080
4A0018				
4A0023				
4A0023	86.5	53.5	60	100-036-300
4A0031				
4A0031				
4A0031	89.5	53.5	60	100-036-301
4A0038		73.5	80	
4A0038				

DIN rail attachment available for quick mounting and disassembly.

DIN Rail Attachment

The attachment is applicable to models with dimensions of 170 mm (W) and 128 mm (H) max.

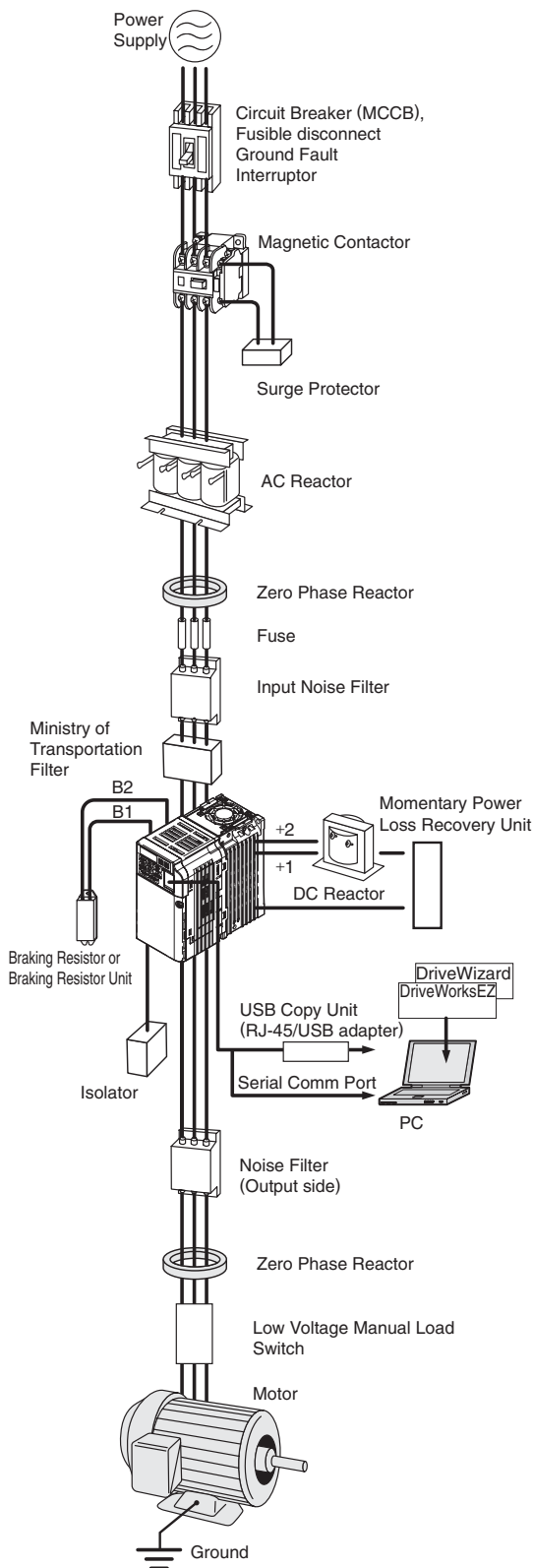
Dimension (Heatsink for a 200 V 0.4 kW drive)



Model CIMR-VA:.....	Width (mm)	Code No.
2A0001	68	EZZ08122A
2A0002		
2A0004		
2A0006	108	EZZ08122B
2A0008		
2A0010		
2A0012	140	EZZ08122C
2A0018		
2A0020		
BA0001	68	EZZ08122A
BA0002		
BA0003		
BA0006	108	EZZ08122B
BA0010		
BA0012		
BA0018	170	EZZ08122D
BA0018		
BA0018		
4A0001	108	EZZ08122B
4A0002		
4A0004		
4A0005		
4A0007		
4A0009		
4A0011		
4A0011	140	EZZ08122C
4A0011		



Peripheral Devices and Options



Name	Purpose	Model, Manufacturer	Page
Circuit Breaker	Protects circuitry from excessive current.	Recommended: NF series by Mitsubishi Electric	p.30
Ground Fault Interruptor (GFI)	Choose a GFI designed for use with a frequency meter.	Recommended: NV series by Mitsubishi Electric EG, SG series by Fuji Electric	—
Magnetic Contactor	Interrupts the power supply to the drive.	Recommended: SC series by Fuji Electric	p.30
Surge Protector	Absorbs the voltage surge from switching of electro-magnetic contactors and control relays. Install a surge protector to the magnetic contactors and control relays as well as magnetic valves and magnetic braking coil.	DCR2 series RFN series by Nippon Chemi- Con Corporation	p.31
DC Reactor	Used for harmonic current suppression and total improving power factor.	UZDA series	p.32
AC Reactor	Should be used if the power supply capacity is larger than 600 kVA.	UZBA series	p.33
Zero Phase Reactor	Reduces noise from the line that enters into the drive input power system. Should be installed as close as possible to the drive. Can be used on both the input and output sides.	F6045GB F11080GB by Hitachi Metals, Ltd.	p.34
Fuse / Fuse Holder	Protects internal circuitry in the event of component failure. Fuse should be connected to the input terminal of the drive.	CR6L series CMS series by Fuji Electric	p.35
Capacitor-type Noise Filter	Reduces noise from the line that enters into the drive input power system. The noise filter can be used in combination with a zero-phase reactor. Note: Available for drive input only. Do not connect the noise filter to the output terminals.	3XYG 1003 by Okaya Electric Industries	p.35
Input Noise Filter	Reduces noise from the line that enters into the drive input power system. Should be installed as close as possible to the drive.	LNFD series LNFB series FN series For CE Marking (EMC Directive) compliant models, refer to V1000 Technical Manual.	p.36, 37
Output Noise Filter	Reduces noise from the line that enters into the drive input power system. Should be installed as close as possible to the drive.	LF series by NEC TOKIN Corporation	p.38
Isolator	Isolates the drive I/O signal, and is effective in reducing inductive noise.	DGP2 series	p.39
Braking Resistor	Used to shorten the deceleration time by dissipating regenerative energy through a resistor. (3% ED)	ERF-150WJ series	p.40, 41
Braking Resistor Unit	Used to shorten the deceleration time by dissipating regenerative energy through a resistor. A thermal overload relay is built in. (10% ED)	LKEB series	p.40, 41
24 V Power Supply	Provides power supply for the control circuit and option boards. Note: Parameter settings cannot be changed when the drive is operating solely from this power supply.	PS-V10S PS-V10M	p.42
USB Copy Unit (RJ-45/USB compatible plug)	· Adapter for connecting the drive to the USB port of a PC. · Can copy parameter settings to be later transferred to another drive.	JVOP-181	p.43
Support Tools (DriveWizard) Cable	Connects the drive to a PC for use with DriveWizard.	WV103	p.43

Name		Purpose	Model, Manufacturer	Page
LCD Operator		For easier operation when using the optional LCD operator. Allows for remote operation. Includes a Copy function for saving drive settings.	JVOP-180	p.44
LCD Operator Extension Cable		Cable for connecting the LCD operator.	WV001: 1 m WV003: 3 m	
Communication Interface Unit	MECHATROLINK-II	Allows control of the drive via a fieldbus network.	Available soon	p.45
	CC-Link		SI-C3/V	
	DeviceNet		SI-N3/V	
	PROFIBUS-DP		SI-P3/V	
	CANopen		SI-S3/V	
	LONWORKS		Available soon	
Momentary Power Loss Recovery Unit		Ensures continued drive operation for a power loss of up to 2 s.	P0010 Type (200V class) P0020 Type (400V class)	p.46
Frequency Meter, Current Meter		Allows the user to set and monitor the frequency, current, and voltage using an external device.	DCF-6A	p.46
Frequency setting Potentiometer (2 k Ω)			RH000739	
Frequency Meter Adjusting Potentiometer (20 k Ω)			RH000850	
Control Dial for Frequency Setting Potentiometer			CM-3S	
Output Voltage Meter			SDF-12	p.47
NEMA 1 Kit		Turns an IP20 open-chassis design into a NEMA 1 compliant enclosure panel.	—	p.25
Attachment for External Heatsink		Mechanical kit to install the drive with the heatsink out of the cabinet. Note: Current derating must be considered when this installation method is used.	—	p.27
DIN Rail Attachment		Allows mounting the drive on a DIN rail. Installs to the rear of the drive unit.	—	
Screwless Terminal Board		Control terminal board with screw less terminals.	Available soon	—
Low Voltage Manual Load Switch		Prevents shock from the voltage created on the terminals board from a coasting synchronous motor.	Recommended: AICUT, LB series by AICHI ELECTRIC WORKS CO.,Ltd.	—

Note: Contact the manufacturer in question for availability and specifications of non-Yaskawa products.



● Circuit Breaker, Magnetic Contactor

Base device selection on motor capacity.



Circuit Breaker
[Mitsubishi Electric]



Magnetic Contactor
[Fuji Electric]

Three-Phase 200 V Class

Motor Capacity (kW)	Circuit Breaker				Magnetic Contactor			
	Without Reactor		With Reactor		Without Reactor		With Reactor	
	Model	Rated Current (A)	Model	Rated Current (A)	Model	Rated Current (A)	Model	Rated Current (A)
0.1	NF30	5	NF30	3	SC-03	11	SC-03	11
0.2	NF30	5	NF30	3	SC-03	11	SC-03	11
0.4	NF30	5	NF30	5	SC-03	11	SC-03	11
0.75	NF30	10	NF30	10	SC-03	11	SC-03	11
1.5	NF30	20	NF30	15	SC-4-0	18	SC-03	11
2.2	NF30	20	NF30	15	SC-N1	26	SC-4-0	18
3.7	NF30	30	NF30	20	SC-N2	35	SC-N1	26
5.5	NF50	50	NF50	40	SC-N2S	50	SC-N2	35
7.5	NF100	60	NF50	50	SC-N3	65	SC-N2S	50
11	NF100	75	NF100	75	SC-N4	80	SC-N4	80
15	NF225	125	NF100	100	SC-N5	93	SC-N4	80
18.5	NF225	150	NF225	125	SC-N5	93	SC-N5	93

Single-Phase 200 V Class

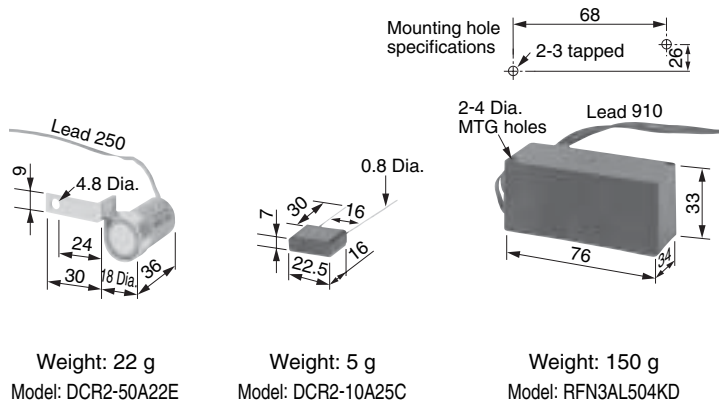
Motor Capacity (kW)	Circuit Breaker				Magnetic Contactor			
	Without Reactor		With Reactor		Without Reactor		With Reactor	
	Model	Rated Current (A)	Model	Rated Current (A)	Model	Rated Current (A)	Model	Rated Current (A)
0.1	NF30	5	NF30	3	SC-03	11	SC-03	11
0.2	NF30	5	NF30	5	SC-03	11	SC-03	11
0.4	NF30	10	NF30	10	SC-03	11	SC-03	11
0.75	NF30	20	NF30	15	SC-4-0	18	SC-4-0	18
1.5	NF30	30	NF30	30	SC-N2	35	SC-N1	26
2.2	NF30	40	NF30	30	SC-N2	35	SC-N2	35
3.7	NF50	50	NF50	40	SC-N2S	50	SC-N2S	50

Three-Phase 400 V Class

Motor Capacity (kW)	Circuit Breaker				Magnetic Contactor			
	Without Reactor		With Reactor		Without Reactor		With Reactor	
	Model	Rated Current (A)	Model	Rated Current (A)	Model	Rated Current (A)	Model	Rated Current (A)
0.2	NF30	5	NF30	3	SC-03	11	SC-03	11
0.4	NF30	5	NF30	3	SC-03	11	SC-03	11
0.75	NF30	5	NF30	5	SC-03	11	SC-03	11
1.5	NF30	10	NF30	10	SC-03	11	SC-03	11
2.2	NF30	20	NF30	10	SC-4-0	18	SC-03	11
3.0	NF30	20	NF30	15	SC-4-0	18	SC-03	11
3.7	NF30	20	NF30	15	SC-N1	26	SC-4-0	18
5.5	NF30	30	NF30	20	SC-N2	35	SC-N1	26
7.5	NF30	30	NF30	30	SC-N2	35	SC-N2	35
11	NF50	50	NF50	40	SC-N2S	48	SC-N2S	48
15	NF100	60	NF50	50	SC-N3	65	SC-N2S	48
18.5	NF100	75	NF100	60	SC-N3	65	SC-N3	65

● Surge Protector

Dimensions (mm)



[Nippon Chemi-Con Corporation]

Product Line

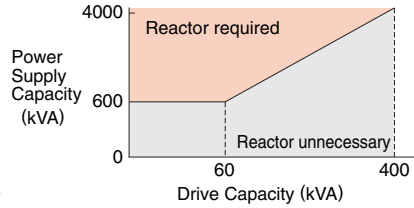
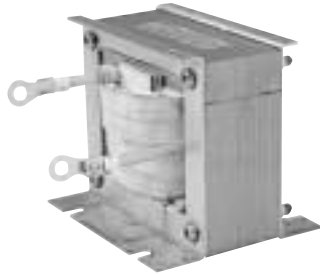
Peripheral Devices		Surge Protector	Model	Specifications	Code No.
200 V to 230 V	Large-Capacity Coil (other than relay)		DCR2-50A22E	220 Vac 0.5 μ F+200 Ω	C002417
	Control Relay	MY2, MY3 [Omron Corporation]	DCR2-10A25C	250 Vac 0.1 μ F+100 Ω	C002482
		MM2, MM4 [Omron Corporation] HH22, HH23 [Fuji Electric]			
		380 to 460 V	RFN3AL504KD	1000 Vdc 0.5 μ F+220 Ω	C002630



Peripheral Devices and Options (continued)

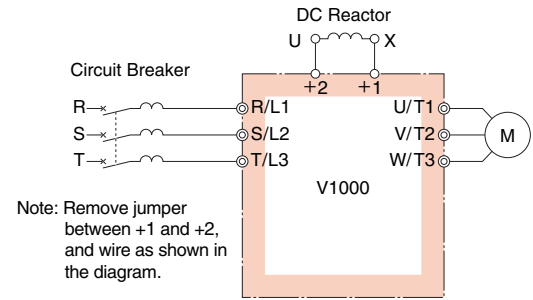
DC Reactor (UZDA-B for DC circuit)

Base device selection on motor capacity.



Note: Reactor recommended for power supplies larger than 600 kVA. Use an AC reactor if power supply is 0.2 kW or smaller.

Connection Diagram



Dimensions (mm)

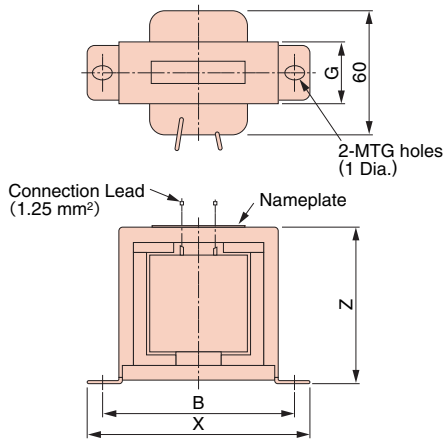


Figure 1

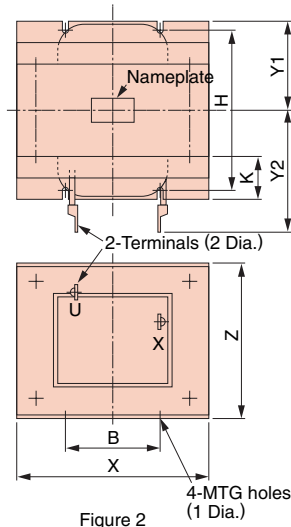


Figure 2

Three-Phase 200 V Class Note: Contact Yaskawa directly for information on 200 V class single-phase drives. Use an AC reactor for motor capacities up to 0.2 kW.

Motor Capacity (kW)	Current (A)	Inductance (mH)	Code No.	Figure	Dimensions (mm)										Weight (kg)	Watt Loss (W)	Wire Gauge* (mm²)
					X	Y2	Y1	Z	B	H	K	G	1 Dia.	2 Dia.			
0.4	5.4	8	X010048	1	85	-	-	53	74	-	-	32	M4	-	0.8	8	2
0.75	5.4	8	X010048	1	85	-	-	53	74	-	-	32	M4	-	0.8	8	2
1.5	18	3	X010049	2	86	80	36	76	60	55	18	-	M4	M5	2	18	5.5
2.2	18	3	X010049	2	86	80	36	76	60	55	18	-	M4	M5	2	18	5.5
3.7	18	3	X010049	2	86	80	36	76	60	55	18	-	M4	M5	2	18	5.5
5.5	36	1	X010050	2	105	90	46	93	64	80	26	-	M6	M6	3.2	22	8
7.5	36	1	X010050	2	105	90	46	93	64	80	26	-	M6	M6	3.2	22	8
11	72	0.5	X010051	2	105	105	56	93	64	100	26	-	M6	M8	4.9	29	30
15	72	0.5	X010051	2	105	105	56	93	64	100	26	-	M6	M8	4.9	29	30
18.5	90	0.4	X010176	2	133	120	52.5	117	86	80	25	-	M6	M8	6.5	45	30

Three-Phase 400 V Class

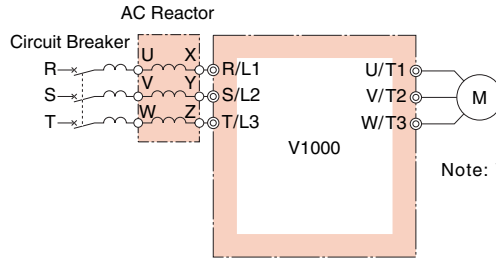
Motor Capacity (kW)	Current (A)	Inductance (mH)	Code No.	Figure	Dimensions (mm)										Weight (kg)	Watt Loss (W)	Wire Gauge* (mm²)
					X	Y2	Y1	Z	B	H	K	G	1 Dia.	2 Dia.			
0.4	3.2	28	X010052	1	85	-	-	53	74	-	-	32	M4	-	0.8	9	2
0.75	3.2	28	X010052	1	85	-	-	53	74	-	-	32	M4	-	0.8	9	2
1.5	5.7	11	X010053	1	90	-	-	60	80	-	-	32	M4	-	1	11	2
2.2	5.7	11	X010053	1	90	-	-	60	80	-	-	32	M4	-	1	11	2
3.0	12	6.3	X010054	2	86	80	36	76	60	55	18	-	M4	M5	2	16	2
3.7	12	6.3	X010054	2	86	80	36	76	60	55	18	-	M4	M5	2	16	2
5.5	23	3.6	X010055	2	105	90	46	93	64	80	26	-	M6	M5	3.2	27	5.5
7.5	23	3.6	X010055	2	105	90	46	93	64	80	26	-	M6	M5	3.2	27	5.5
11	33	1.9	X010056	2	105	95	51	93	64	90	26	-	M6	M6	4	26	8
15	33	1.9	X010056	2	105	95	51	93	64	90	26	-	M6	M6	4	26	8
18.5	47	1.3	X010177	2	115	125	57.5	100	72	90	25	-	M6	M6	6	42	14

*: Cable: IV, 75°C, ambient temperature 45°C, 3 lines max.

AC Reactor (UZBA-B for Input 50/60 Hz)

Base device selection on motor capacity.

Connection Diagram



Note: When using low noise type drives (high-carrier frequency of 2.5 kHz or more), do not connect an AC reactor to the output side (U, V, W) of the drive.

Dimensions (mm)

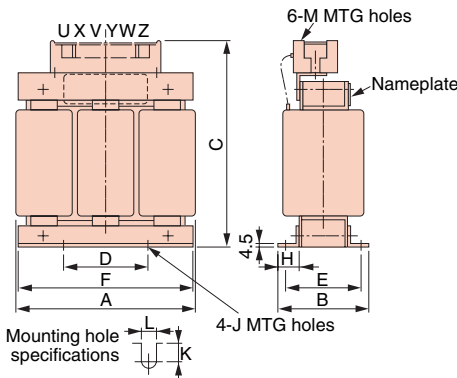


Figure 1

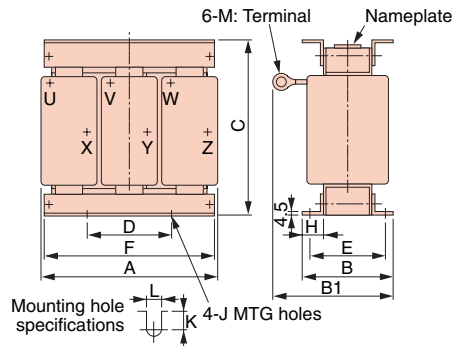


Figure 2

Three-Phase 200 V Class Note: For the 200 V class single-phase input series, contact us for inquiry.

Motor Capacity (kW)	Current (A)	Inductance (mH)	Code No.	Figure	Dimensions (mm)											Weight (kg)	Watt Loss (W)	
					A	B	B1	C	D	E	F	H	J	K	L			M
0.1	2	7	X002764	1	120	71	-	120	40	50	105	20	M6	10.5	7	M4	2.5	15
0.2	2	7	X002764	1	120	71	-	120	40	50	105	20	M6	10.5	7	M4	2.5	15
0.4	2.5	4.2	X002553	1	120	71	-	120	40	50	105	20	M6	10.5	7	M4	2.5	15
0.75	5	2.1	X002554	1	120	71	-	120	40	50	105	20	M6	10.5	7	M4	2.5	15
1.5	10	1.1	X002489	1	130	88	-	130	50	70	130	22	M6	11.5	7	M4	3	25
2.2	15	0.71	X002490	1	130	88	-	130	50	70	130	22	M6	11.5	7	M4	3	30
3.7	20	0.53	X002491	2	130	88	114	105	50	70	130	22	M6	11.5	7	M5	3	35
5.5	30	0.35	X002492	2	130	88	119	105	50	70	130	22	M6	9	7	M5	3	45
7.5	40	0.265	X002493	2	130	98	139	105	50	80	130	22	M6	11.5	7	M6	4	50
11	60	0.18	X002495	2	160	105	147.5	130	75	85	160	25	M6	10	7	M6	6	65
15	80	0.13	X002497	2	180	100	155	150	75	80	180	25	M6	10	7	M8	8	75
18.5	90	0.12	X002498	2	180	100	150	150	75	80	180	25	M6	10	7	M8	8	90

Three-Phase 400 V Class

Motor Capacity (kW)	Current (A)	Inductance (mH)	Code No.	Figure	Dimensions (mm)											Weight (kg)	Watt Loss (W)	
					A	B	B1	C	D	E	F	H	J	K	L			M
0.2	1.3	18	X002561	1	120	71	-	120	40	50	105	20	M6	10.5	7	M4	2.5	15
0.4	1.3	18	X002561	1	120	71	-	120	40	50	105	20	M6	10.5	7	M4	2.5	15
0.75	2.5	8.4	X002562	1	120	71	-	120	40	50	105	20	M6	10.5	7	M4	2.5	15
1.5	5	4.2	X002563	1	130	88	-	130	50	70	130	22	M6	9	7	M4	3	25
2.2	7.5	3.6	X002564	1	130	88	-	130	50	70	130	22	M6	9	7	M4	3	35
3.0	10	2.2	X002500	1	130	88	-	130	50	70	130	22	M6	11.5	7	M4	3	40
3.7	10	2.2	X002500	1	130	88	-	130	50	70	130	22	M6	11.5	7	M4	3	40
5.5	15	1.42	X002501	1	130	98	-	130	50	80	130	22	M6	11.5	7	M4	4	50
7.5	20	1.06	X002502	2	160	90	115	130	75	70	160	25	M6	10	7	M5	5	50
11	30	0.7	X002503	2	160	105	132.5	130	75	85	160	25	M6	10	7	M5	6	65
15	40	0.53	X002504	2	180	100	140	150	75	80	180	25	M6	10	7	M6	8	90
18.5	50	0.42	X002505	2	180	100	145	150	75	80	180	25	M6	10	7	M6	8	90



Peripheral Devices and Options (continued)

Zero Phase Reactor

Base device selection on motor capacity.

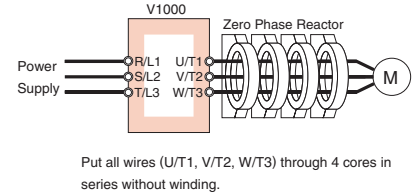
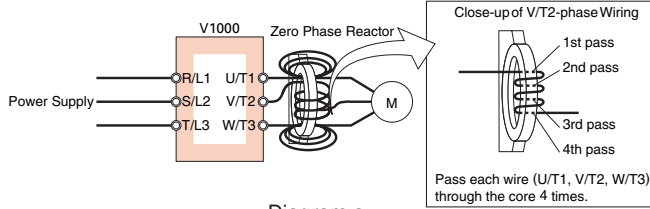
Finemet Zero-Phase Reactor to Reduce Radio Noise Note: Finemet is a registered trademark of Hitachi Metals, Ltd.



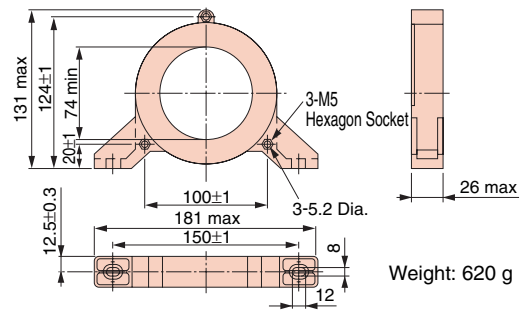
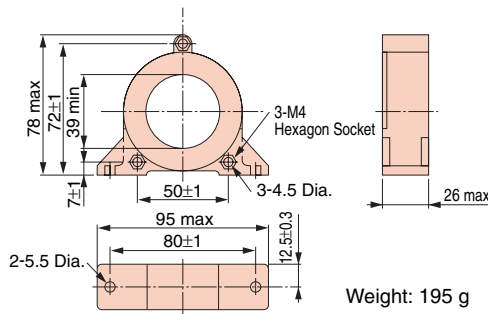
[Hitachi Metals, Ltd.]

Connection Diagram

Example: Connection to output terminal



Dimensions (mm)



Three-Phase 200 V Class

V1000		Zero Phase Reactor			
Motor Capacity (kW)	Recommended Gauge (mm ²)	Model	Code No.	Qty.	Diagram
0.1	2	F6045GB	FIL001098	1	a
0.2	2	F6045GB	FIL001098	1	a
0.4	2	F6045GB	FIL001098	1	a
0.75	2	F6045GB	FIL001098	1	a
1.5	2	F6045GB	FIL001098	1	a
2.2	3.5	F6045GB	FIL001098	1	a
3.7	5.5	F6045GB	FIL001098	1	a
5.5	8	F11080GB	FIL001097	1	a
7.5	14	F11080GB	FIL001097	1	a
11	22	F6045GB	FIL001098	4	b
15	30	F6045GB	FIL001098	4	b
18.5	30	F6045GB	FIL001098	4	b

Three-Phase 400 V Class

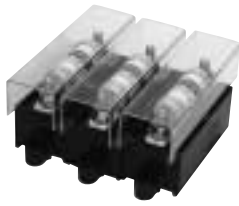
V1000		Zero Phase Reactor			
Motor Capacity (kW)	Recommended Gauge (mm ²)	Model	Code No.	Qty.	Diagram
0.2	2	F6045GB	FIL001098	1	a
0.4	2	F6045GB	FIL001098	1	a
0.75	2	F6045GB	FIL001098	1	a
1.5	2	F6045GB	FIL001098	1	a
2.2	2	F6045GB	FIL001098	1	a
3.0	2	F6045GB	FIL001098	1	a
3.7	2	F6045GB	FIL001098	1	a
5.5	5.5	F6045GB	FIL001098	1	a
7.5	8	F6045GB	FIL001098	1	a
11	8	F11080GB	FIL001097	1	a
15	14	F11080GB	FIL001097	1	a
18.5	14	F11080GB	FIL001097	1	a

Single-Phase 200 V Class

V1000		Zero Phase Reactor			
Motor Capacity (kW)	Recommended Gauge (mm ²)	Model	Code No.	Qty.	Diagram
0.1	2	F6045GB	FIL001098	1	a
0.2	2	F6045GB	FIL001098	1	a
0.4	2	F6045GB	FIL001098	1	a
0.75	2	F6045GB	FIL001098	1	a
1.5	3.5	F6045GB	FIL001098	1	a
2.2	5.5	F6045GB	FIL001098	1	a
3.7	8	F11080GB	FIL001097	1	a

Fuse/Fuse Holder

Install a fuse to the drive input terminals to prevent damage in case a fault occurs.



[Fuji Electric]

Dimensions (mm)

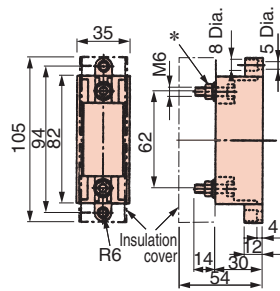


Figure 1

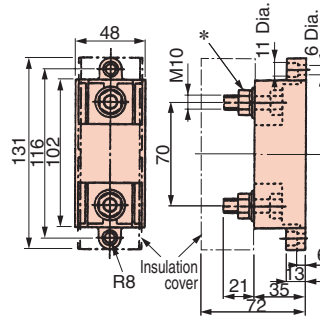


Figure 2

*: Mounting components supplied separately. Tighten bolt when fuse is installed.

Three-Phase 200 V Class

Model	Fuse			Fuse Holder			
	Model	Code No.	Qty.	Model	Code No.	Qty.	Figure
CIMR-VA2A	CR6L-20/UL	FU002087	3				
0001	CR6L-20/UL	FU002087	3				
0002	CR6L-20/UL	FU002087	3				
0004	CR6L-20/UL	FU002087	3				
0006	CR6L-30/UL	FU002088	3	CMS-4	FU002091	3	1
0008	CR6L-50/UL	FU000935	3				
0010	CR6L-50/UL	FU000935	3				
0012	CR6L-50/UL	FU000935	3				
0018	CR6L-75/UL	FU002089	3				
0020	CR6L-75/UL	FU002089	3				
0030	CR6L-100/UL	FU000927	3	CMS-5	FU002092	3	2
0040	CR6L-150/UL	FU000928	3				
0056	CR6L-150/UL	FU000928	3				
0069	CR6L-200/UL	FU000929	3				
Note							

Note: Manufacturer does not recommend a specific fuse holder for this fuse.

Three-Phase 400 V Class

Model	Fuse			Fuse Holder			
	Model	Code No.	Qty.	Model	Code No.	Qty.	Figure
CIMR-VA4A	CR6L-20/UL	FU002087	3				
0001	CR6L-20/UL	FU002087	3				
0002	CR6L-20/UL	FU002087	3				
0004	CR6L-50/UL	FU000935	3	CMS-4	FU002091	3	1
0005	CR6L-50/UL	FU000935	3				
0007	CR6L-50/UL	FU000935	3				
0009	CR6L-50/UL	FU000935	3				
0011	CR6L-50/UL	FU000935	3				
0018	CR6L-50/UL	FU000935	3				
0023	CR6L-75/UL	FU002089	3				
0031	CR6L-100/UL	FU000927	3	CMS-5	FU002092	3	2
0038	CR6L-150/UL	FU000928	3				

Single-Phase 200 V Class

Model	Fuse			Fuse Holder			
	Model	Code No.	Qty.	Model	Code No.	Qty.	Figure
CIMR-VABA	CR6L-20/UL	FU002087	2				
0001	CR6L-20/UL	FU002087	2				
0002	CR6L-30/UL	FU002088	2	CMS-4	FU002091	2	1
0003	CR6L-50/UL	FU000935	2				
0006	CR6L-75/UL	FU002089	2				
0010	CR6L-100/UL	FU000927	2	CMS-5	FU002092	2	1
0012	CR6L-100/UL	FU000927	2				
0018	CR6L-150/UL	FU000928	2				

Capacitor-type Noise Filter

Capacitor-type noise filter exclusively designed for drive input.

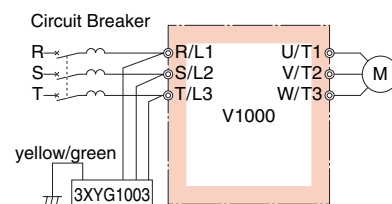
The noise filter can be used in combination with a zero-phase reactor. For both 200 V and 400 V classes.

Note: The capacitor-type noise filter can be used for drive input only. Do not connect the noise filter to the output terminals.

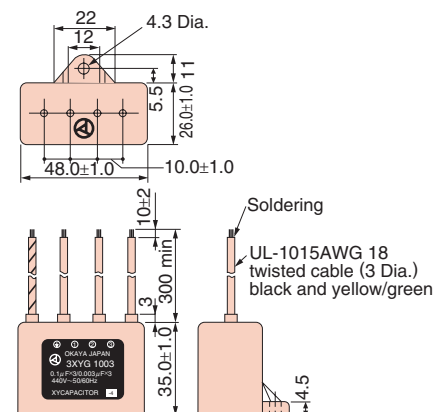


[Okaya Electric Industries]

Connection Diagram



Dimensions (mm)



Specifications

Model	Code No.
3XYG 1003	C002889

Rated Voltage	Capacitance (3 devices each)	Operating Temperature Range (°C)
440 V	X (Δ connection): 0.1 μ F±20% Y (Λ connection): 0.003 μ F±20%	-40 to +85

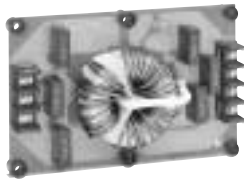
Note: For use with 460 V and 480 V units, contact Yaskawa directly.



Peripheral Devices and Options (continued)

Input Noise Filter

Base device selection on motor capacity.



Noise Filter without Case

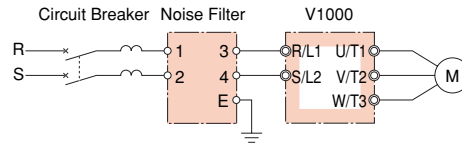


Noise Filter with Case

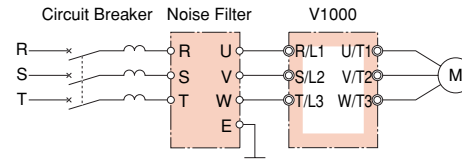


[Schaffner Elektronik AG] Noise Filter

Connection Diagram



Single-Phase Input (LNFB Type)



Three-Phase Input (LNFD Type, FN Type)

Note: Do not connect the input noise filter to the drive output terminals (U, V, W). Connect in parallel when using two filters. Only a single noise filter is required if the filter is made by Schaffner Elektronik AG.

Note: Contact Yaskawa for CE compliant models (EMC directive).

Three-Phase 200 V Class

Motor Capacity (kW)	Noise Filter without Case				Noise Filter with Case				Noise Filter by Schaffner Elektronik AG			
	Model	Code No.	Qty.	Rated Current (A)	Model	Code No.	Qty.	Rated Current (A)	Model	Code No.	Qty.	Rated Current (A)
0.1	LNFD-2103DY	FIL000132	1	10	LNFD-2103HY	FIL000140	1	10	—	—	—	—
0.2	LNFD-2103DY	FIL000132	1	10	LNFD-2103HY	FIL000140	1	10	—	—	—	—
0.4	LNFD-2103DY	FIL000132	1	10	LNFD-2103HY	FIL000140	1	10	—	—	—	—
0.75	LNFD-2103DY	FIL000132	1	10	LNFD-2103HY	FIL000140	1	10	—	—	—	—
1.5	LNFD-2153DY	FIL000133	1	15	LNFD-2153HY	FIL000141	1	15	—	—	—	—
2.2	LNFD-2203DY	FIL000134	1	20	LNFD-2203HY	FIL000142	1	20	—	—	—	—
3.7	LNFD-2303DY	FIL000135	1	30	LNFD-2303HY	FIL000143	1	30	—	—	—	—
5.5	LNFD-2203DY	FIL000134	2	40	LNFD-2203HY	FIL000142	2	40	FN258L-42-07	FIL001065	1	42
7.5	LNFD-2303DY	FIL000135	2	60	LNFD-2303HY	FIL000143	2	60	FN258L-55-07	FIL001066	1	55
11	LNFD-2303DY	FIL000135	3	90	LNFD-2303HY	FIL000143	3	90	FN258L-75-34	FIL001067	1	75
15	LNFD-2303DY	FIL000135	3	90	LNFD-2303HY	FIL000143	3	90	FN258L-100-35	FIL001068	1	100
18.5	LNFD-2303DY	FIL000135	4	120	LNFD-2303HY	FIL000143	4	120	FN258L-130-35	FIL001069	1	130

Single-Phase 200 V Class

Motor Capacity (kW)	Noise Filter without Case				Noise Filter with Case			
	Model	Code No.	Qty.	Rated Current (A)	Model	Code No.	Qty.	Rated Current (A)
0.1	LNFB-2102DY	FIL000128	1	10	LNFB-2102HY	FIL000136	1	10
0.2	LNFB-2102DY	FIL000128	1	10	LNFB-2102HY	FIL000136	1	10
0.4	LNFB-2152DY	FIL000129	1	15	LNFB-2152HY	FIL000137	1	15
0.75	LNFB-2202DY	FIL000130	1	20	LNFB-2202HY	FIL000138	1	20
1.5	LNFB-2302DY	FIL000131	1	30	LNFB-2302HY	FIL000139	1	30
2.2	LNFB-2202DY	FIL000130	2	40	LNFB-2202HY	FIL000138	2	40
3.7	LNFB-2302DY	FIL000131	2	60	LNFB-2302HY	FIL000139	2	60

Three-Phase 400 V Class

Motor Capacity (kW)	Noise Filter without Case				Noise Filter with Case				Noise Filter by Schaffner Elektronik AG			
	Model	Code No.	Qty.	Rated Current (A)	Model	Code No.	Qty.	Rated Current (A)	Model	Code No.	Qty.	Rated Current (A)
0.2	LNFD-4053DY	FIL000144	1	5	LNFD-4053HY	FIL000149	1	5	—	—	—	—
0.4	LNFD-4053DY	FIL000144	1	5	LNFD-4053HY	FIL000149	1	5	—	—	—	—
0.75	LNFD-4053DY	FIL000144	1	5	LNFD-4053HY	FIL000149	1	5	—	—	—	—
1.5	LNFD-4103DY	FIL000145	1	10	LNFD-4103HY	FIL000150	1	10	—	—	—	—
2.2	LNFD-4103DY	FIL000145	1	10	LNFD-4103HY	FIL000150	1	10	—	—	—	—
3.0	LNFD-4153DY	FIL000146	1	15	LNFD-4153HY	FIL000151	1	15	—	—	—	—
3.7	LNFD-4153DY	FIL000146	1	15	LNFD-4153HY	FIL000151	1	15	—	—	—	—
5.5	LNFD-4203DY	FIL000147	1	20	LNFD-4203HY	FIL000152	1	20	—	—	—	—
7.5	LNFD-4303DY	FIL000148	1	30	LNFD-4303HY	FIL000153	1	30	—	—	—	—
11	LNFD-4203DY	FIL000147	2	40	LNFD-4203HY	FIL000152	2	40	FN258L-42-07	FIL001065	1	42
15	LNFD-4303DY	FIL000148	2	60	LNFD-4303HY	FIL000153	2	60	FN258L-55-07	FIL001066	1	55
18.5	LNFD-4303DY	FIL000148	2	60	LNFD-4303HY	FIL000153	2	60	FN258L-55-07	FIL001066	1	55

Dimensions (mm)
Without Case

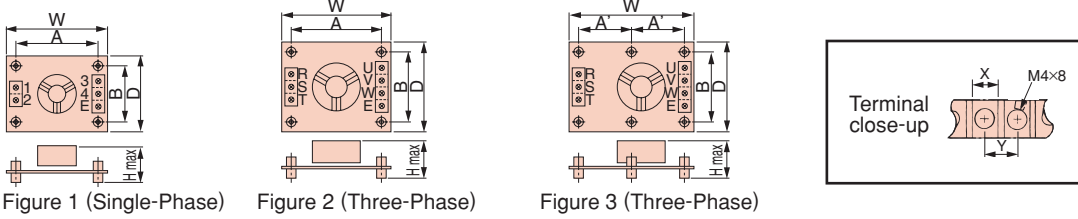
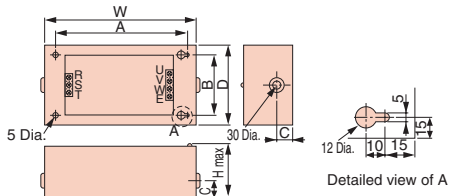


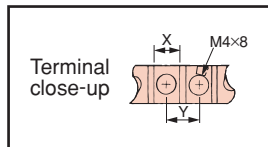
Figure 1 (Single-Phase) Figure 2 (Three-Phase) Figure 3 (Three-Phase)

Model	Code No.	Figure	Dimensions (mm)						Terminal		Mounting Screw	Weight (kg)
			W	D	H	A	A'	B	X	Y		
LNFD-2103DY	FIL000132	2	120	80	55	108	-	68			M4x4,20mm	0.2
LNFD-2153DY	FIL000133	2	120	80	55	108	-	68	9	11	M4x4,20mm	0.2
LNFD-2203DY	FIL000134	2	170	90	70	158	-	78			M4x4,20mm	0.4
LNFD-2303DY	FIL000135	3	170	110	70	-	79	98	10	13	M4x6,20mm	0.5
LNFB-2102DY	FIL000128	1	120	80	50	108	-	68			M4x4,20mm	0.1
LNFB-2152DY	FIL000129	1	120	80	50	108	-	68	9	11	M4x4,20mm	0.2
LNFB-2202DY	FIL000130	1	120	80	50	108	-	68			M4x4,20mm	0.2
LNFB-2302DY	FIL000131	1	130	90	65	118	-	78	10	13	M4x4,20mm	0.3
LNFD-4053DY	FIL000144	3	170	130	75	-	79	118			M4x6,30mm	0.3
LNFD-4103DY	FIL000145	3	170	130	95	-	79	118	9	11	M4x6,30mm	0.4
LNFD-4153DY	FIL000146	3	170	130	95	-	79	118			M4x6,30mm	0.4
LNFD-4203DY	FIL000147	3	200	145	100	-	94	133			M4x4,30mm	0.5
LNFD-4303DY	FIL000148	3	200	145	100	-	94	133	10	13	M4x4,30mm	0.6

With Case



Note: The figure shows an example of three-phase input.



Model	Code No.	Dimensions (mm)						Terminal		Mounting Screw	Weight (kg)
		W	D	H	A	B	C	X	Y		
LNFD-2103HY	FIL000140	185	95	85	155	65	33	9	11	M4x4,10mm	0.9
LNFD-2153HY	FIL000141	185	95	85	155	65	33			M4x4,10mm	0.9
LNFD-2203HY	FIL000142	240	125	100	210	95	33			M4x4,10mm	1.5
LNFD-2303HY	FIL000143	240	125	100	210	95	33	10	13	M4x4,10mm	1.6
LNFB-2102HY	FIL000136	185	95	85	155	65	33			M4x4,10mm	0.8
LNFB-2152HY	FIL000137	185	95	85	155	65	33	9	11	M4x4,10mm	0.8
LNFB-2202HY	FIL000138	185	95	85	155	65	33			M4x4,10mm	0.9
LNFB-2302HY	FIL000139	200	105	95	170	75	33	10	13	M4x4,10mm	1.1
LNFD-4053HY	FIL000149	235	140	120	205	110	43			M4x4,10mm	1.6
LNFD-4103HY	FIL000150	235	140	120	205	110	43	9	11	M4x4,10mm	1.7
LNFD-4153HY	FIL000151	235	140	120	205	110	43			M4x4,10mm	1.7
LNFD-4203HY	FIL000152	270	155	125	240	125	43			M4x4,10mm	2.2
LNFD-4303HY	FIL000153	270	155	125	240	125	43	10	13	M4x4,10mm	2.2

Manufactured by Schaffner Elektronik AG

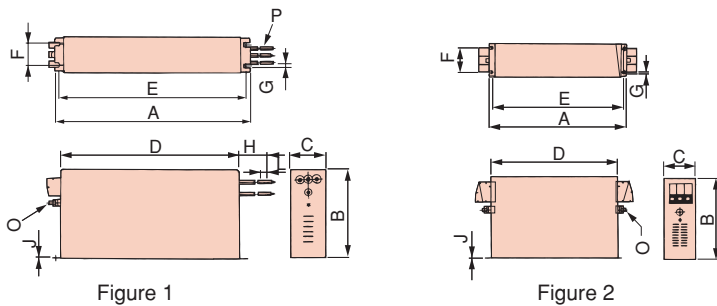


Figure 1

Figure 2

Model	Figure	Dimensions (mm)											Wire Gauge	Weight (kg)
		A	B	C	D	E	F	G	H	J	L	O		
FN258L-42-07	1	329	185±1	70	300	314	45	6.5	500	1.5	12	M6	AWG8	2.8
FN258L-55-07	1	329	185±1	80	300	314	55	6.5	500	1.5	12	M6	AWG6	3.1
FN258L-75-34	2	329	220	80	300	314	55	6.5	-	1.5	-	M6	-	4.0
FN258L-100-35	2	379±1.5	220	90±0.8	350±1.2	364	65	6.5	-	1.5	-	M10	-	5.5
FN258L-130-35	2	439±1.5	240	110±0.8	400±1.2	414	80	6.5	-	3	-	M10	-	7.5

Note: For CE Marking (EMC Directive) compliant models, contact us for inquiry.



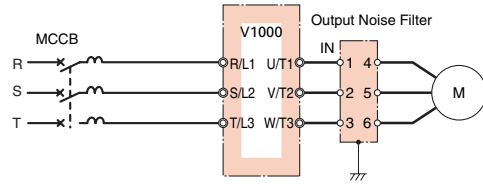
Output Noise Filter

Base device selection on motor capacity.

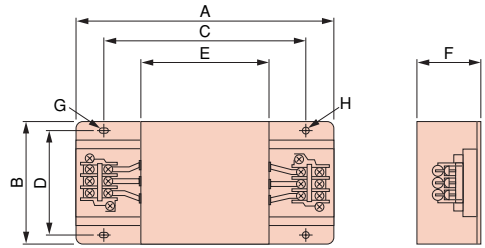


[NEC TOKIN Corporation]

Connection Diagram



Dimensions (mm)



Three/Single-Phase 200 V Class

Motor Capacity (kW)	Model	Code No.	Qty.	Rated Current (A)	Dimensions (mm)								Terminal	Weight (kg)
					A	B	C	D	E	F	G	H		
0.1	LF-310KA	FIL000068	1	10	140	100	100	90	70	45	7×φ4.5	φ4.5	TE-K5.5M4	0.5
0.2	LF-310KA	FIL000068	1	10	140	100	100	90	70	45	7×φ4.5	φ4.5	TE-K5.5M4	0.5
0.4	LF-310KA	FIL000068	1	10	140	100	100	90	70	45	7×φ4.5	φ4.5	TE-K5.5M4	0.5
0.75	LF-310KA	FIL000068	1	10	140	100	100	90	70	45	7×φ4.5	φ4.5	TE-K5.5M4	0.5
1.5	LF-310KA	FIL000068	1	10	140	100	100	90	70	45	7×φ4.5	φ4.5	TE-K5.5M4	0.5
2.2	LF-320KA	FIL000069	1	20	140	100	100	90	70	45	7×φ4.5	φ4.5	TE-K5.5M4	0.6
3.7	LF-320KA	FIL000069	1	20	140	100	100	90	70	45	7×φ4.5	φ4.5	TE-K5.5M4	0.6
5.5	LF-350KA	FIL000070	1	50	260	180	180	160	120	65	7×φ4.5	φ4.5	TE-K22M6	2
7.5	LF-350KA	FIL000070	1	50	260	180	180	160	120	65	7×φ4.5	φ4.5	TE-K22M6	2
11	LF-350KA	FIL000070	2	100	260	180	180	160	120	65	7×φ4.5	φ4.5	TE-K22M6	2
15	LF-350KA	FIL000070	2	100	260	180	180	160	120	65	7×φ4.5	φ4.5	TE-K22M6	2
18.5	LF-350KA	FIL000070	2	100	260	180	180	160	120	65	7×φ4.5	φ4.5	TE-K22M6	2

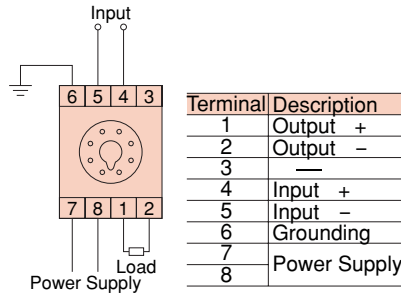
Three-Phase 400 V Class

Motor Capacity (kW)	Model	Code No.	Qty.	Rated Current (A)	Dimensions (mm)								Terminal	Weight (kg)
					A	B	C	D	E	F	G	H		
0.2	LF-310KB	FIL000071	1	10	140	100	100	90	70	45	7×φ4.5	φ4.5	TE-K5.5M4	0.5
0.4	LF-310KB	FIL000071	1	10	140	100	100	90	70	45	7×φ4.5	φ4.5	TE-K5.5M4	0.5
0.75	LF-310KB	FIL000071	1	10	140	100	100	90	70	45	7×φ4.5	φ4.5	TE-K5.5M4	0.5
1.5	LF-310KB	FIL000071	1	10	140	100	100	90	70	45	7×φ4.5	φ4.5	TE-K5.5M4	0.5
2.2	LF-310KB	FIL000071	1	10	140	100	100	90	70	45	7×φ4.5	φ4.5	TE-K5.5M4	0.5
3	LF-310KB	FIL000071	1	10	140	100	100	90	70	45	7×φ4.5	φ4.5	TE-K5.5M4	0.5
3.7	LF-310KB	FIL000071	1	10	140	100	100	90	70	45	7×φ4.5	φ4.5	TE-K5.5M4	0.5
5.5	LF-320KB	FIL000072	1	20	140	100	100	90	70	45	7×φ4.5	φ4.5	TE-K5.5M4	0.6
7.5	LF-320KB	FIL000072	1	20	140	100	100	90	70	45	7×φ4.5	φ4.5	TE-K5.5M4	0.6
11	LF-335KB	FIL000073	1	35	140	100	100	90	70	45	7×φ4.5	φ4.5	TE-K5.5M4	0.8
15	LF-335KB	FIL000073	1	35	140	100	100	90	70	45	7×φ4.5	φ4.5	TE-K5.5M4	0.8
18.5	LF-345KB	FIL000074	1	45	260	180	180	160	120	65	7×φ4.5	φ4.5	TE-K22M6	2

● Isolator (Insulation Type DC Transmission Converter)



Connection Diagram

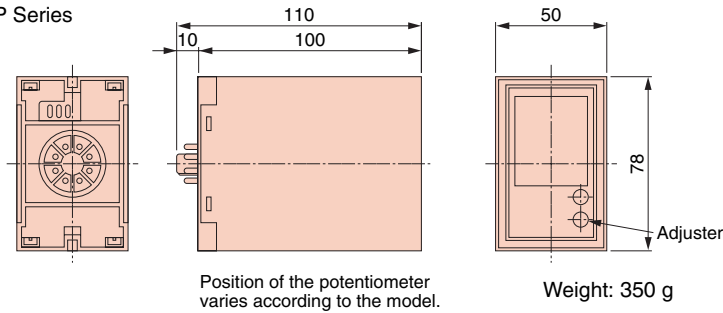


Cable Length

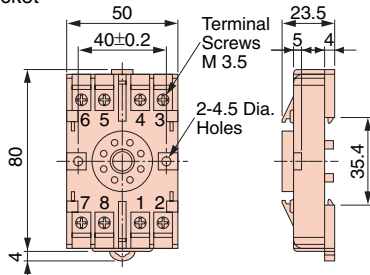
- 4 to 20 mA: within 100 m
- 0 to 10 V: within 50 m

Dimensions (mm)

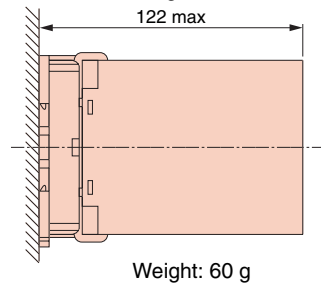
Model GP Series



Socket



View of Socket Mounting



Performance

- | | |
|-----------------------------------|--|
| (1) Allowance | $\pm 0.25\%$ of output span (ambient temp.: 23°C) |
| (2) Temperature Fluctuation | $\pm 0.25\%$ of output span (at $\pm 10^\circ\text{C}$ of ambient temperature) |
| (3) Aux. Power Supply Fluctuation | $\pm 0.1\%$ of output span (at $\pm 10\%$ of aux. power supply) |
| (4) Load Resistance Fluctuation | $\pm 0.05\%$ of output span (in the range of load resistance) |
| (5) Output Ripple | $\pm 0.5\%$ P-P of output span |
| (6) Response Time | 0.5 s or less (time to settle to $\pm 1\%$ of final steady value) |
| (7) Withstand Voltage | 2000 Vac for 60 s (between all terminals and enclosure) |
| (8) Insulation Resistance | 20 M Ω and above (using 500 Vdc megger between each terminal and enclosure) |

Product Line

Model	Input Signal	Output Signal	Power Supply	Code No.
DGP2-4-4	0 to 10 V	0 to 10 V	100 Vac	CON 000019.25
DGP2-4-8	0 to 10 V	4 to 20 mA	100 Vac	CON 000019.26
DGP2-8-4	4 to 20 mA	0 to 10 V	100 Vac	CON 000019.35
DGP2-3-4	0 to 5 V	0 to 10 V	100 Vac	CON 000019.15
DGP3-4-4	0 to 10 V	0 to 10 V	200 Vac	CON 000020.25
DGP3-4-8	0 to 10 V	4 to 20 mA	200 Vac	CON 000020.26
DGP3-8-4	4 to 20 mA	0 to 10 V	200 Vac	CON 000020.35
DGP3-3-4	0 to 5 V	0 to 10 V	200 Vac	CON 000020.15



Peripheral Devices and Options (continued)

Braking Resistor, Braking Resistor Unit

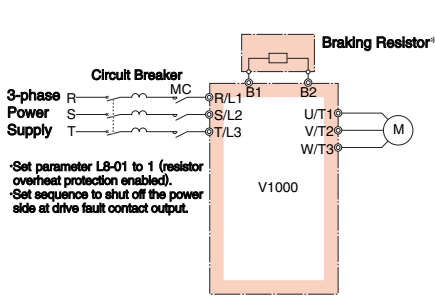
Base device selection on motor capacity.



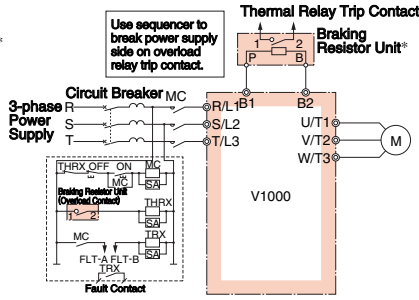
Braking Resistor



Braking Resistor Unit



Connection Diagram A



Connection Diagram B

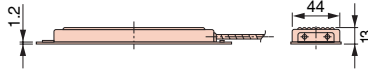
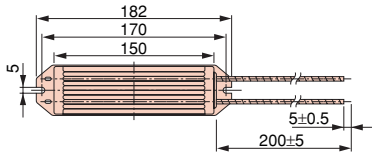
*: To use the optional braking resistor, disable the deceleration stall prevention function (L3-04 = 0). If you use the braking resistor without changing this parameter, the motor may not stop within the specified deceleration time.

Note: 1. The duty factor is intended for ramping to stop under constant-torque load. If constant output or continuous regenerative braking force is provided, the duty factor will be reduced.

2. For applications with large regenerative power (e.g., elevating load), the standard combination of the braking unit and the braking resistor may not provide sufficient capacity. If braking torque may exceed the value given in the table below, contact us for inquiry.

3. For connections of the separate type braking unit (CDBR type) for the Varispeed Series without using the built-in braking transistor, connect the B1 terminal of the drive to the + terminal of the braking resistor unit and connect the - terminal of the drive to the - terminal of the braking resistor unit. The B2 terminal is not used in this case.

Braking Resistor Dimensions (mm)



Weight: 0.2 kg
(All ERF-150WJ; Series models)

Standard Specifications and Applications

Three/Single-Phase 200 V Class

Max. Motor Capacity (kW)	ND/HD	V1000		Braking Resistor					Braking Resistor Unit					Min. Connection Resistance (Ω)
		Three-Phase CIMR-VA2A	Single-Phase CIMR-VABA	Model	Resistance (Ω)	Qty.	Diagram	Braking Torque (%) (3%ED)	Model	Resistor Specifications (per unit)	Qty.	Diagram	Braking Torque (%) (10%ED)	
0.1	HD	0001	0001	401	400	1	A	220	40P7	70 W 750 Ω	1	B	220	300
	ND	0001	0001	401	400	1	A	220	40P7	70 W 750 Ω	1	B	125	300
0.2	HD	0002	0002	401	400	1	A	220	40P7	70 W 750 Ω	1	B	65	300
	ND	0002	0002	401	400	1	A	110	40P7	70 W 750 Ω	1	B	220	200
0.4	HD	0004	0003	201	200	1	A	220	20P7	70 W 200 Ω	1	B	125	200
	ND	0004	0003	201	200	1	A	125	20P7	70 W 200 Ω	1	B	125	120
0.75	HD	0006	0006	201	200	1	A	85	20P7	70 W 200 Ω	1	B	85	120
	ND	0006	0006	201	200	1	A	170	21P5	260 W 100 Ω	1	B	125	60
1.1	HD	0008	—	101	100	1	A	125	21P5	260 W 100 Ω	1	B	125	60
	ND	0008	—	101	100	1	A	125	21P5	260 W 100 Ω	1	B	125	60
1.5	HD	0010	0010	700	70	1	A	120	22P2	260 W 70 Ω	1	B	120	60
	ND	0010	0010	700	70	1	A	120	22P2	260 W 70 Ω	1	B	90	60
2.2	HD	0012	0012	620	62	1	A	100	23P7	390 W 40 Ω	1	B	150	32
	ND	0012	0012	620	62	1	A	100	23P7	390 W 40 Ω	1	B	125	32
3.0	HD	0018	—	620	62	1	A	80	23P7	390 W 40 Ω	1	B	85	32
	ND	0018	—	620	62	1	A	80	23P7	390 W 40 Ω	1	B	115	9.6
3.7	HD	0020	0018*	—	—	—	—	—	25P5	520 W 30 Ω	1	B	125	9.6
	ND	0020	—	—	—	—	—	—	27P5	780 W 20 Ω	1	B	125	9.6
5.5	HD	0030	—	—	—	—	—	—	2011	2400 W 13.6 Ω	1	B	125	9.6
	ND	0030	—	—	—	—	—	—	2015	3000 W 10 Ω	1	B	125	9.6
7.5	HD	0040	—	—	—	—	—	—	2015	3000 W 10 Ω	1	B	100	9.6
	ND	0040	—	—	—	—	—	—	2015	3000 W 10 Ω	1	B	100	9.6
11	HD	0056	—	—	—	—	—	—	2015	3000 W 10 Ω	1	B	100	9.6
	ND	0056	—	—	—	—	—	—	2015	3000 W 10 Ω	1	B	100	9.6
15	HD	0069	—	—	—	—	—	—	2015	3000 W 10 Ω	1	B	100	9.6
	ND	0069	—	—	—	—	—	—	2015	3000 W 10 Ω	1	B	100	9.6
18.5	ND	0069	—	—	—	—	—	—	2015	3000 W 10 Ω	1	B	100	9.6

*: CIMR-VABA0018 does not have a Normal Duty rating.

Braking Resistor, Braking Resistor Unit (continued)

Three-Phase 400 V Class

Max. Motor Capacity (kW)	ND/HD	V1000		Braking Resistor				Braking Resistor Unit				Min. Connection Resistance (Ω)	
		Three-Phase CIMR-VA4A	Model ERF-150WJ	Resistance (Ω)	Qty.	Diagram	Braking Torque (%) (3%ED)	Model LKEB	Resistor Specifications (per unit)	Qty.	Diagram		Braking Torque (%) (10%ED)
0.2	HD	0001	751	750	1	A	230	40P7	70 W 750 Ω	1	B	230	750
0.4	ND	0001	751	750	1	A	230	40P7	70 W 750 Ω	1	B	230	750
	HD	0002											
0.75	ND	0002	751	750	1	A	130	40P7	70 W 750 Ω	1	B	130	750
	HD	0004											510
1.5	ND	0004	751	750	1	A	70	40P7	70 W 750 Ω	1	B	70	510
	HD	0005	401	400	1	A	125	41P5	260 W 400 Ω			125	240
2.2	ND	0005	301	300	1	A	115	42P2	260 W 250 Ω	1	B	135	240
	HD	0007										200	
3.0	ND	0007	401	400	2*	A	125	42P2	260 W 250 Ω	1	B	100	200
	HD	0009						43P7	390 W 150 Ω			165	100
3.7	ND	0009	401	400	2*	A	105	43P7	390 W 150 Ω	1	B	135	100
	HD	0011											
5.5	ND	0011	—	—	—	—	—	45P5	520 W 100 Ω	1	B	135	100
	HD	0018	—	—	—	—	—						
7.5	ND	0018	—	—	—	—	—	47P5	780 W 75 Ω	1	B	130	32
	HD	0023	—	—	—	—	—						
11	ND	0023	—	—	—	—	—	4011	1040 W 50 Ω	1	B	135	32
	HD	0031	—	—	—	—	20						
15	ND	0031	—	—	—	—	—	4015	1560 W 40 Ω	1	B	125	20
	HD	0038	—	—	—	—							
18.5	ND	0038	—	—	—	—	—	4018	4800 W 32 Ω	1	B	125	20

*: Connect in parallel when using two braking resistors.

Braking Resistor Unit Dimensions (mm)

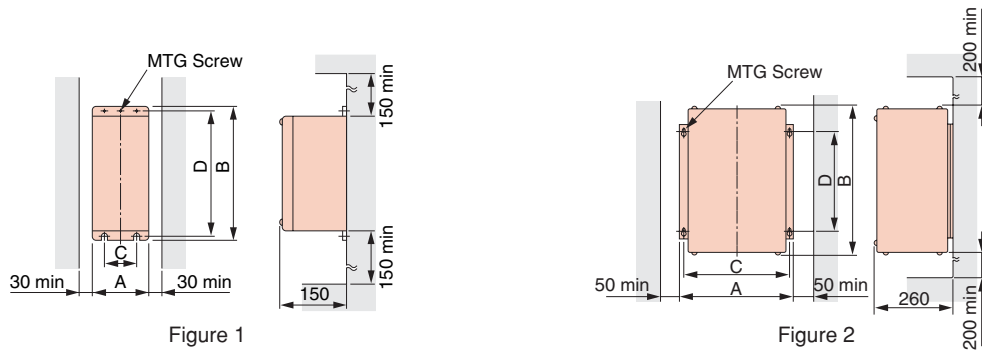


Figure 1

Figure 2

Applicable Voltage Class	Braking Resistor Unit Model LKEB	Figure	Dimensions (mm)					Weight (kg)	Allowable Average Power Consumption (W)
			A	B	C	D	MTG Screw		
200 V Class	20P7	1	105	275	50	260	M5×3	3	30
	21P5	1	130	350	75	335	M5×4	4.5	60
	22P2	1	130	350	75	335	M5×4	4.5	89
	23P7	1	130	350	75	335	M5×4	5	150
	25P5	1	250	350	200	335	M6×4	7.5	220
	27P5	1	250	350	200	335	M6×4	8.5	300
	2011	2	266	543	246	340	M8×4	10	440
	2015	2	356	543	336	340	M8×4	15	600
	2018	2	446	543	426	340	M8×4	19	740
	2022	2	446	543	426	340	M8×4	19	880

Applicable Voltage Class	Braking Resistor Unit Model LKEB	Figure	Dimensions (mm)					Weight (kg)	Allowable Average Power Consumption (W)
			A	B	C	D	MTG Screw		
400 V Class	40P7	1	105	275	50	260	M5×3	3	30
	41P5	1	130	350	75	335	M5×4	4.5	60
	42P2	1	130	350	75	335	M5×4	4.5	89
	43P7	1	130	350	75	335	M5×4	5	150
	45P5	1	250	350	200	335	M6×4	7.5	220
	47P5	1	250	350	200	335	M6×4	8.5	300
	4011	2	350	412	330	325	M6×4	16	440
	4015	2	350	412	330	325	M6×4	18	600
	4018	2	446	543	426	340	M8×4	19	740
	4022	2	446	543	426	340	M8×4	19	880
	4030	2	356	956	336	740	M8×4	25	1200
	4037	2	446	956	426	740	M8×4	33	1500
	4045	2	446	956	426	740	M8×4	33	1800



Peripheral Devices and Options (continued)

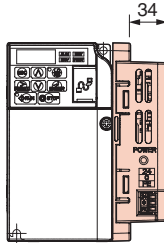
24 V Power Supply

The 24 V Power Supply Option maintains drive control circuit power in the event of a main power outage. The control circuit keeps the network communications and I/O data operational in the event of a power outage. It supplies external power to the control circuit only.

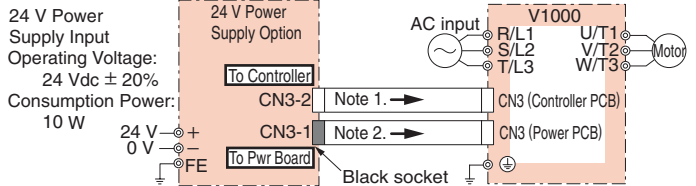
Note: Parameter settings cannot be changed when the drive is operating solely from this powers supply.



The installed option adds 34 mm to the total depth of the drive.

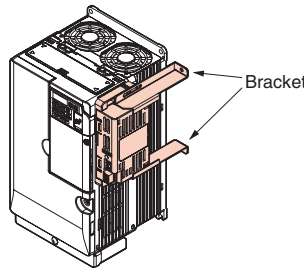


Connection Diagram



- Note: 1. This cable with "white" connector ends is supplied with the PS-V10M Option.
 2. This cable with "black" connector ends is supplied with the PS-V10S Option.

The mounting support bracket is required for NEMA Type 1. If these supports are not used, the design is considered "Open Type."

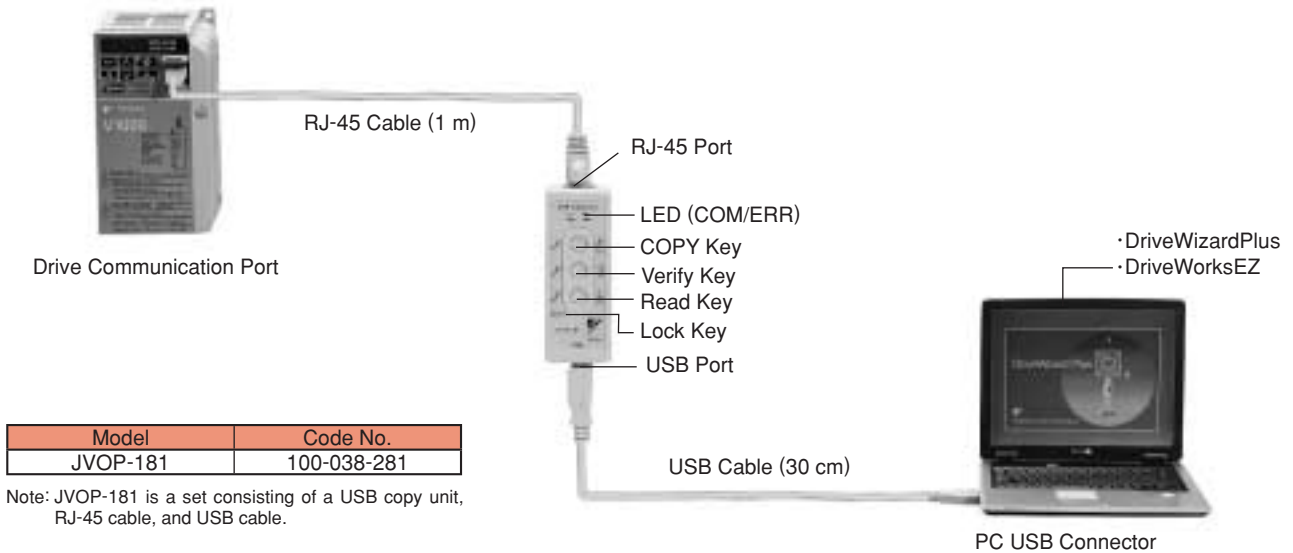


Drive with PS-V10M

Voltage Class	Model CIMR-VA	24 V Power Supply		Bracket	
		Model	Code No.	Model	Code No.
200 V Class (Three-Phase)	2A0001B	PS-V10S	100-038-701	EZZ020639A	100-039-821
	2A0002B				
	2A0004B				
	2A0006B				
	2A0008B				
	2A0010B	PS-V10S	100-038-701	EZZ020639B	100-039-822
	2A0012B				
	2A0018B				
	2A0020F	PS-V10M	100-038-702	EZZ020639B	100-039-822
	2A0030F				
	2A0040F				
2A0056F					
2A0069F	PS-V10M	100-038-702	EZZ020639C	100-039-823	
200 V Class (Single-Phase)	BA0001B	PS-V10S	100-038-701	EZZ020639A	100-039-821
	BA0002B				
	BA0003B				
	BA0006B	PS-V10S	100-038-701	EZZ020639B	100-039-822
	BA0010B				
	BA0012B				
	BA0018B				
400 V Class (Three-Phase)	4A0001B	PS-V10S	100-038-701	EZZ020639A	100-039-821
	4A0002B				
	4A0004B				
	4A0005B				
	4A0007B				
	4A0009B	PS-V10S	100-038-701	EZZ020639B	100-039-822
	4A0011B				
	4A0018B				
	4A0023B	PS-V10M	100-038-702	EZZ020639B	100-039-822
	4A0031B				
4A0038B					
		PS-V10M	100-038-702	EZZ020639C	100-039-823

● USB Copy Unit (Model: JVOP-181)

Connection



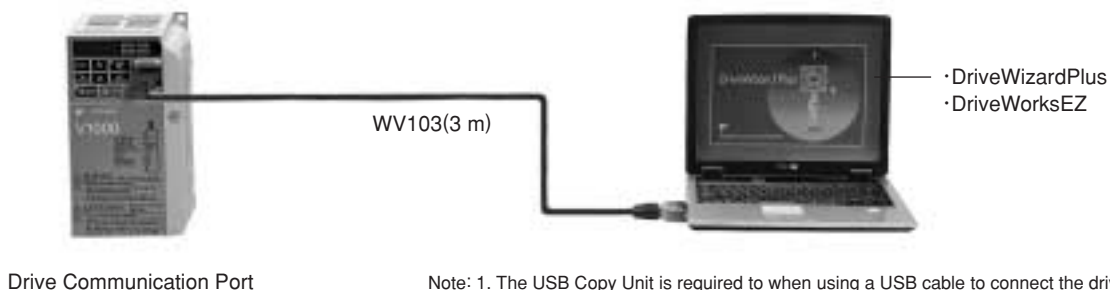
Specifications

Item	Specifications
Port	LAN (RJ-45) USB (Ver.2.0 compatible)
Power Supply	Supplied from a PC or the drive
Operating System	Windows2000/XP
Memory	Memorizes the parameters for one drive.
Dimensions	30 (W) × 80 (H) × 20 (D) mm
Included	RJ-45 cable (1 m), USB cable (30 cm)

- Note: 1. Drives must have identical software versions to copy parameters settings.
 2. Requires a USB driver available free of charge at www.e-mechatronics.com.
 3. Parameter copy function disabled when connected to a PC.

● PC Cable (Model: WV103)

Connection



- Note: 1. The USB Copy Unit is required when using a USB cable to connect the drive to a PC.
 2. DriveWizard Plus is a PC software package for managing parameters and functions in Yaskawa drives. Available free of charge at www.e-mechatronics.com.
 DriveWorksEZ is the software for creating custom application programs for the drive through visual programming. To order this software, contact our sales representative.

Model	Code No.
WV103	WV103

Specifications

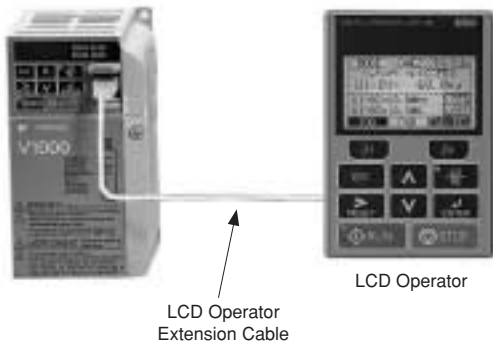
Item	Specifications
Connector	DSUB9P
Cable Length	3 m



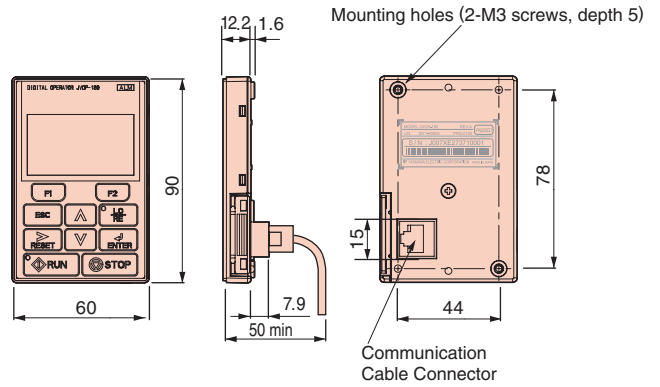
LCD Operator/LCD Operator Extension Cable

For easier operation when using the optional LCD operator. Allows for remote operation. Includes a Copy function for saving drive settings.

Connection



Dimensions (mm)



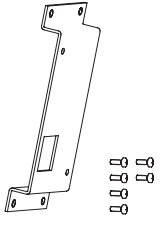
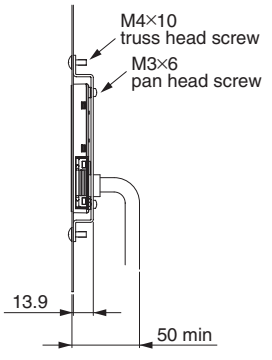
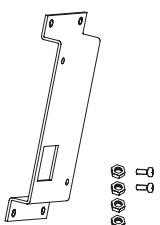
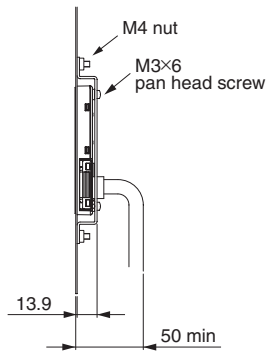
LCD Operator

Model	Code No.
JVOP - 180	100-041-022

LCD Operator Extension Cable

Model	Code No.
WV001 (1 m)	WV001
WV003 (3 m)	WV003

To install the LCD operator on the door of the enclosure panel, the following tools are required:

Item	Code No.	Installation	Notes
 Installation Support Set A	100-039-992	 M4x10 truss head screw M3x6 pan head screw 13.9 mm offset 50 mm depth	For use with holes through the panel
 Installation Support Set B	100-039-993	 M4 nut M3x6 pan head screw 13.9 mm offset 50 mm depth	For use with panel mounted threaded studs

Note: If weld studs are on the back of the panel, use the Installation Support Set B.

● Communication Interface Unit



Name	Model	Code No.
MECHATROLINK-II Option*	—	—
CC-Link Option	SI-C3/V	100-038-064
DeviceNet Option	SI-N3/V	100-039-409
PROFIBUS-DP Option	SI-P3/V	100-038-409
CANopen Option	SI-S3/V	100-038-739
LONWORKS Option*	—	—

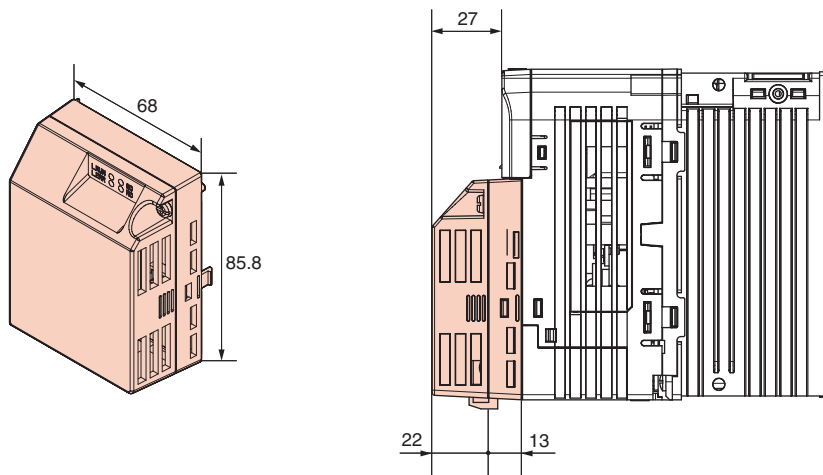
*: Available soon

Example of interface installation

Dimensions (mm)

The interface increases total drive dimensions by 27 mm.

Example: CIMR-VA2A0004





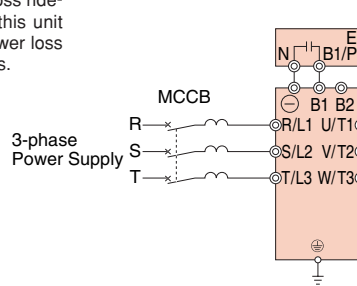
● Momentary Power Loss Recovery Unit (0.1 to 7.5 kW for 200 V/400 V class)



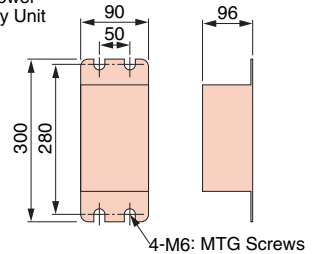
Model	Code No.
200 V Class: P0010	P0010
400 V Class: P0020	P0020

Note: Use this unit for 7.5kW or less to extend the drive's power loss ride-thru ability to 2 s. When this unit is not used, the drive's power loss ride-thru ability is 0.1 to 1 s.

Connection Diagram



Dimensions (mm)



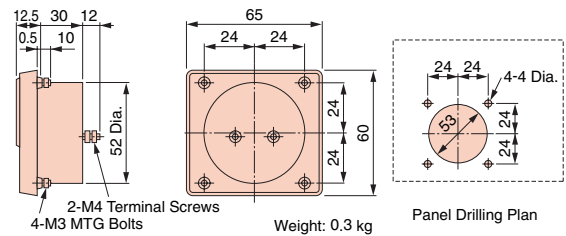
● Frequency Meter/Current Meter



Model	Code No.
Scale-75 Hz full-scale: DCF-6A	FM000065
Scale-60/120 Hz full-scale: DCF-6A	FM000085
Scale-5 A full-scale: DCF-6A	DCF-6A-5A
Scale-10 A full-scale: DCF-6A	DCF-6A-10A
Scale-20 A full-scale: DCF-6A	DCF-6A-20A
Scale-30 A full-scale: DCF-6A	DCF-6A-30A
Scale-50 A full-scale: DCF-6A	DCF-6A-50A

Note: DCF-6A is a 3 V, 1 mA frequency meter. The user may want to additionally install a frequency potentiometer to control output (shown below) or set parameter H4-02 to the appropriate output level (0 to 3 V).

Dimensions (mm)

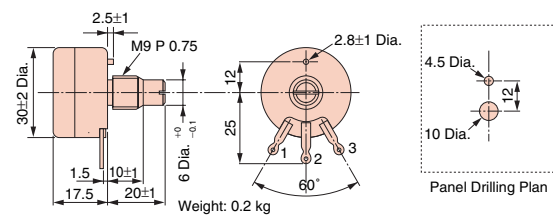


● Frequency Setting Potentiometer/Frequency Meter Adjusting Potentiometer



Model	Code No.
RV30YN20S 2 k Ω	RH000739
RV30YN20S 20 k Ω	FM000850

Dimensions (mm)

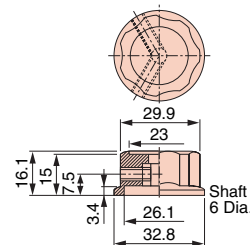


● Control Dial for Frequency Setting Potentiometer/Frequency Meter Adjusting Potentiometer



Model	Code No.
CM-3S	HLNZ-0036

Dimensions (mm)

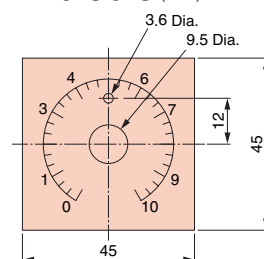


● Meter Plate for Frequency Setting Potentiometer/Frequency Meter Adjusting Potentiometer



Model	Code No.
NPJT41561-1	NPJT41561-1

Dimensions (mm)



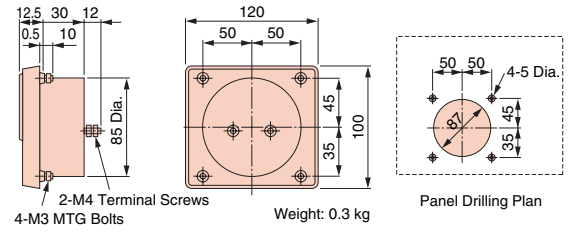
● Output Voltage Meter



Model	Code No.
Scale-300 V full-scale (Rectification Type Class 2.5) : SCF-12NH	VM000481
Scale-600 V full-scale (Rectification Type Class 2.5) : SCF-12NH	VM000502
600 V Transformer for Instrument : UPN-15B 400 V/100 V*	PT000084

*: For use with a standard voltage regulator.
A standard voltage regulator may not match the drive output voltage. Select a regulator specifically designed for the drive output (PT000084), or a voltmeter that does not use a transformer and offers direct read out.

Dimensions (mm)





Application Notes

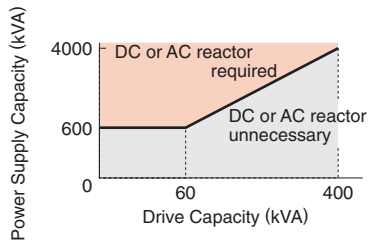
Selection

■ Installing a Reactor

An AC or DC reactor can be used for the following:

- to suppress harmonic current.
- to smooth peak current that results from capacitor switching.
- when the power supply is above 600 kVA.
- when the drive is

running from a power supply system with thyristor converters.



■ Drive Capacity

When running a specialized motor or more than one motor in parallel from a single drive, the capacity of the drive should be larger than 1.1 times of the total motor rated current.

■ Starting Torque

The overload rating for the drive determines the starting and accelerating characteristics of the motor. Expect lower torque than when running from line power. To get more starting torque, use a larger drive or increase both the motor and drive capacity.

■ Emergency Stop

When the drive faults out, a protective circuit is activated and drive output is shut off. This, however, does not stop the motor immediately. Some type of mechanical brake may be needed if it is necessary to halt the motor faster than the Fast Stop function is able to.

■ Repetitive Starting/Stopping

Cranes (Hoists), elevators, punching presses, and other such applications with frequent starts and stops often exceed 150% of their rated current values. Heat stress generated from repetitive high current can shorten the lifespan of the IGBTs. The expected lifespan for the IGBTs is about 8 million start and stop cycles with a 4 kHz carrier frequency and a 150% peak current.

Yaskawa recommends lowering the carrier frequency, particularly when audible noise is not a concern. The user can also choose to reduce the load, increase the acceleration and deceleration times, or switch to a larger drive. This will help keep peak current levels under 150%. Be sure to check the peak current levels when starting and stopping repeatedly during the initial test run, and make adjustments accordingly.

For crane-type applications taking the inching function in which the motor is quickly started and stopped, Yaskawa recommends the following to ensure motor torque levels and lower the drive:

- Select a large enough drive so that peak current levels remain below 150%.
- The drive should be one frame size larger than the motor.

Installation

■ Enclosure Panels

Keep the drive in a clean environment by either selecting an area free of airborne dust, lint, and oil mist, or install the drive in an enclosure panel. Be sure to leave the required space between the drives to provide for cooling, and that proper measures are taken so that the ambient temperature remains within allowable limits. Keep flammable materials away from the drive. If the drive must be used in an area where it is subjected to oil mist and excessive vibration, protective designs are available. Contact Yaskawa for details.

■ Installation Direction

The drive should be installed upright as specified in the manual.

Settings

- If using PM Open Loop Vector Control designed for permanent magnet motors, make sure that the proper motor code has been set to parameter E5-01 before performing a trial run.

■ Upper Limits

Because the drive is capable of running the motor at up to 400 Hz, be sure to set the upper limit for the frequency to control the maximum speed. The default setting for the maximum output frequency is 60 Hz.

■ DC Injection Braking

Motor overheat can result if there is too much current used during DC Injection Braking, or if the time for DC Injection Braking is too long.

■ Acceleration/Deceleration Times

Acceleration and deceleration times are affected by how much torque the motor generates, the load torque, and the inertia moment ($GD^2/4$). Set a longer accel/decel time when Stall Prevention is enabled. The accel/decel times are lengthened for as long as the Stall Prevention function is operating. For faster acceleration and deceleration, increase the capacity of the drive.

Compliance with Harmonic Suppression Guidelines

V1000 conforms to strict guidelines in Japan covering harmonic suppression for power conversion devices. Defined in JEM-TR201 and JEM-TR226 and published by the Japan Electrical Manufacturers' Association, these guidelines define the amount of harmonic current output acceptable for new installation. Instructions on calculation harmonic output are available free of charge at www.e-mechatronics.com.

General Handling

■ Wiring Check

Never connect the power supply lines to output terminals U/T1, V/T2, or W/T3. Doing so will destroy the drive. Be sure to perform a final check of all sequence wiring and other connections before turning the power on. Make sure there are no short circuits on the control terminals (+V, AC, etc.), as this could damage the drive.

■ Magnetic Contactor Installation

Avoid switching a magnetic contactor on the power supply side more frequently than once every 30 minutes. Frequent switching can cause damage to the drive.

■ Inspection and Maintenance

Capacitors in the drive take time to discharge even after the power has been shut off. To prevent shock, wait until the charge LED has gone out before attempting any maintenance on the drive.

The heatsink can become quite hot during operation, and proper precautions should be taken to prevent burns. When replacing the cooling fan, shut off the power and wait at least 15 minutes to be sure that the heatsink has cooled down.

Even when the power has been shut off for a drive running a PM motor, voltage continues to be generated at the motor terminals while the motor coasts to stop. Take the precautions described below to prevent shock and injury:

- Applications where the machine can still rotate even though the drive has fully stopped should have a low-voltage manual load switch installed to the output side of the drive. (Yaskawa recommends the AICUT LB Series by AICHI Electric Works Co., Ltd.)
- Do not apply to a load that could potentially rotate the motor faster than the maximum allowable r/min even when the drive has been shut off.
- Wait at least one minute after opening the low voltage manual load switch on the output side before inspecting the drive or performing and maintenance.
- Do not open a close the low voltage manual load switch while the motor is running, as this can damage

the drive.

- To close the low voltage manual load switch connected to a coasting motor, first turn on the power to the drive and make sure that the drive has stopped.

■ Transporting the Drive

Never steam clean the drive.

During transport, keep the drive from coming into contact with salts, fluorine, bromine and other such harmful chemicals.

● Peripheral Devices

■ Installing an MCCB

Install an MCCB to the power supply side of the drive to protect internal circuitry. The type of MCCB needed depends on the power supply power factor (power supply voltage, output frequency, load characteristics, etc.).

Sometimes a fairly large MCCB may be required due to the affects of harmonic current on operating characteristics. Use a leakage breaker that has taken harmonic suppression measures (one designed specifically for drives). The rated current of the leakage breaker must be 30 mA or higher per drive unit. If a leakage breaker faults out without reducing harmonic current, then reduce the carrier frequency of the drive, replace it with a breaker that has better harmonic suppression capabilities, or provide a leakage breaker with at least a 200 mA current rating to each drive unit.

■ Magnetic Contactor for Input Power

Even though an MC is designed to switch following a momentary power loss, frequent MC use can damage other components. Avoid switching the MC more than once every 30 minutes. The MC will not be activated after a momentary power loss if using the operator keypad to run the drive. This is because the drive is unable to restart automatically when set for LOCAL. Although the drive can be stopped by using an MC installed on the power supply side, the drive cannot stop the motor in a controlled fashion, and it will simply coast to stop. If a braking resistor or dynamic braking unit has been installed, be sure to set up a sequence that opens the MC with a thermal protector switch connected to the braking resistor device.

■ Magnetic Contactor for Motor

As a general principle, the user should avoid opening and closing the magnetic contactor between the motor and the drive during run. Doing so can cause high peak currents and overcurrent faults. If magnetic contactors are used to bypass the drive by connecting the motor to the power supply directly, make sure to close the bypass



only after the drive is stopped and fully disconnected from the motor. The Speed Search function can be used to start a coasting motor.

Use an MC with delayed release if momentary power loss is a concern.

Motor Thermal Over Load Relay Installation

The drive comes with built in electrothermal protection to prevent damage from overheat. If running several motors from the same drive or if using a multi-pole motor, a thermal relay (THR) should be connected between the drive and each motor. Disable the motor protection selection parameter (L1-01 = 0), and set the thermal relay or thermal protection value in accordance with the data listed on the motor nameplate when running at 50 Hz, and 1.1 times the value listed on the motor nameplate when running at 60 Hz.

Improving the Power Factor

Installing a DC or AC reactor to the input side of the drive can help improve the power factor.

Refrain from using a capacitor or surge absorber on the output side as a way of improving the power factor, because harmonic contents on the output side can lead to damage from overheat. This can also lead to problems with overcurrent.

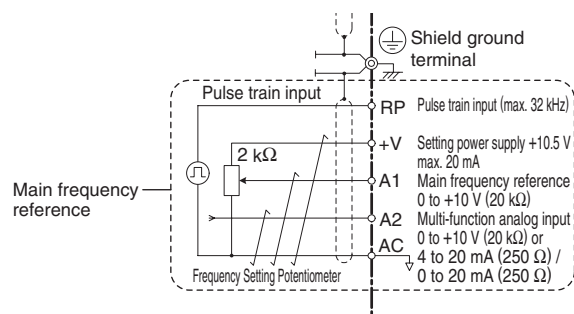
Radio Frequency Interference

Drive output contains harmonic contents that can affect the performance of surrounding electronic instruments such as an AM radio. These problems can be prevented by installing a noise filter, as well as by using a properly grounded metal conduit to separate wiring between the drive and motor.

Wire Gauges and Wiring Distance

Motor torque can suffer as a result of voltage loss across a long cable running between the drive and motor, especially when there is low frequency output. Make sure that a large enough wire gauge is used.

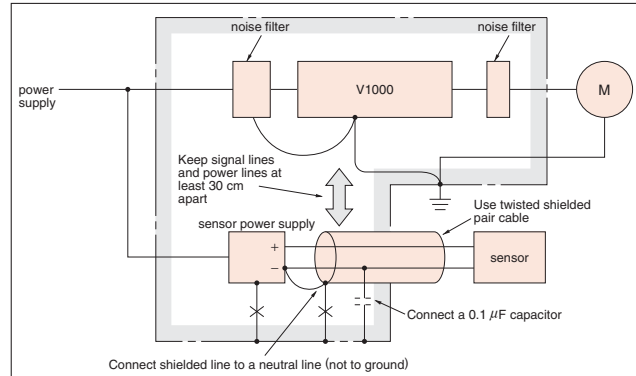
The optional LCD operator requires a proprietary cable to connect to the drive. If an analog signal is used to operate the drive via the input terminals, make sure that the wire between the analog operator and the drive is no longer than 50 m, and that it is properly separated from the main circuit wiring. Use reinforced circuitry (main circuit and relay sequence circuitry) to prevent inductance from surrounding devices. To run the drive with a frequency potentiometer via the external terminals, use twisted shielded pair cables and ground the shield.



Counteracting Noise

Because V1000 is designed with PWM control, a low carrier frequency tends to create more motor flux noise than using a higher carrier frequency. Keep the following point in mind when considering how to reduce motor noise:

- Lowering the carrier frequency minimizes the effects of noise.
- A line noise filter can be effective in reducing the affects on AM radio frequencies and poor sensor performance. See "Options and Peripheral Devices" on page 24.
- Make sure the distance between signal and power lines is at least 10 cm (up to 30 cm is preferable), and use twisted pair cable to prevent induction noise from the drive power lines.



<Provided by JEMA>

Leakage Current

Harmonic leakage current passes through stray capacitance that exists between the power lines to the drive, ground, and the motor lines. Consider using the following peripheral devices to prevent problems with leakage current.

	Problem	Solution
Ground Leakage Current	MCCB is mistakenly triggered	<ul style="list-style-type: none"> • Lower the carrier frequency set to parameter C6-02. • Try using a component designed to minimize harmonic distortion for the MCCB such as the NV series by Mitsubishi.
Current Leakage Between Lines	Thermal relay connected to the external terminals is mistakenly triggered by harmonics in the leakage current	<ul style="list-style-type: none"> • Lower the carrier frequency set to parameter C6-02. • Use the drive's built-in thermal motor protection function.

Setting the Carrier Frequency Relative to Wiring Distance

Wiring Distance	50 m or less	100 m or less	100 m or more
C6-02: Carrier Frequency Selection	1 to Auto (15 kHz or less)	1, 2, 7 to Auto (5 kHz or less)	1, 7 to Auto (2 kHz or less)

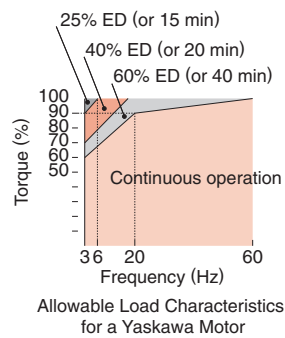
When a single drive is used to run multiple motors, the length of the motor cable should be calculated as the total distance between the drive and each motor. A lower carrier should be used if the cable running between the motor and drive is relatively long when using PM Open Loop Vector, preferably as low as 2 kHz. If the motor cable is longer than 100 m, switch over to V/f Control with IM instead.

Notes on Motor Operation

Using a Standard Motor

Low Speed Range

There is a greater amount of loss when operating a motor using an drive than when running directly from line power. With a drive, the motor can become quite hot due to the poor ability to cool the motor at low speeds. The load torque should be reduced accordingly at low speeds. The figure above shows the allowable load characteristics for a Yaskawa standard motor. A motor designed specifically for operation with a drive should be used when 100% continuous torque is needed at low speeds.



Insulation Tolerance

Consider voltage tolerance levels and insulation in applications with an input voltage of over 440 V or particularly long wiring distances. Contact Yaskawa for consultation.

High Speed Operation

Problems may occur with the motor bearings and dynamic balance in applications operating at over 60 Hz. Contact Yaskawa for consultation.

Torque Characteristics

Torque characteristics differ when operating directly from line power. The user should have a full understanding of the load torque characteristics for the application.

Vibration and Shock

V1000 lets the user choose between high carrier PWM

control and low carrier PWM. Selecting high carrier PWM can help reduce motor oscillation. Keep the following points in mind when using high carrier PWM:

(1) Resonance

Take particular caution when using a variable speed drive for an application that is conventionally run from line power at a constant speed. Shock-absorbing rubber should be installed around the base of the motor and the Jump Frequency selection should be enabled to prevent resonance.

(2) Any imperfection on a rotating body increases vibration with speed

Caution should be taken when operating above the motor rated speed.

Audible Noise

Noise created during run varies by the carrier frequency setting. Using a high carrier frequency creates about as much noise as running from line power. Operating above the rated r/min (i.e., above 60 Hz), however, can create unpleasant motor noise.

Using a Synchronous Motor

Contact Yaskawa if you plan to use any other synchronous motor not endorsed by Yaskawa.

Synchronous motors cannot be started directly from line power. Applications that requiring line power to start should use an induction motor with the drive.

A single drive is not capable of running multiple synchronous motors at the same time. Use a standard induction motor for such setups.

At start, the motor may rotate in reverse as much as 1/8 of a turn.

Uses derated torque of 50% less than starting torque. Set up the motor with the drive after verifying the starting torque, allowable load characteristics, impact load tolerance, and speed control range.

Contact Yaskawa if you plan to use a motor that does not fall within these specifications.

Even with a braking resistor, braking torque is less than 100% when running between 20% to 100% speed, and falls to less than half the braking torque when running at less than 20% speed.

There is no torque control available, and torque limits cannot be set. Consequently, synchronous motors are not appropriate for applications that operate at low speeds (less than 10% of the rated speed) or experience



sudden changes in speed. Such applications are better suited for induction motors or servo drives.

- The allowable load inertia moment is 50 times less than the motor inertia moment. Contact Yaskawa concerning applications with a larger inertia moment.
- When using a holding brake, release the brake prior to starting the motor. Failure to set the proper timing can result in speed loss. Not for use with conveyor, transport, or hoist type applications.
- To restart a coasting motor rotating at over 120 Hz, use the Short Circuit Braking* function to first bring the motor to a stop. Short Circuit Braking requires a special braking resistor. Contact Yaskawa for details.
Speed Search can be used to restart a coasting motor rotating slower than 120 Hz. If the motor cable is relatively long, however, the motor should instead be stopped using Short Circuit Braking and then restarted.

*: Short Circuit Braking creates a short-circuit in the motor windings to forcibly stop a coasting motor.

● Applications with Specialized Motors

- Multi-pole Motor
Because the rated current will differ from a standard motor, be sure to check the maximum current when selecting a drive. Always stop the motor before switching between the number of motor poles. If a regen overvoltage fault occurs or if overcurrent protection is triggered, the motor will coast to stop.
- Submersible Motor
Because motor rated current is greater than a standard motor, select the drive capacity accordingly. Be sure to use a large enough motor cable to avoid decreasing the maximum torque level on account of voltage drop caused by a long motor cable.
- Explosion-proof Motor
Both the motor and drive need to be tested together to be certified as explosion-proof. The drive is not for explosion proof areas.
- Geared Motor
Continuous operation specifications differ by the manufacturer of the lubricant. Due to potential problems of gear damage when operating at low speeds, be sure to select the proper lubricant. Consult with the manufacturer for applications that require speeds greater than the rated speed range of the motor or gear box.

■ Single-phase Motor

Variable speed drives are not designed for operating single phase motors. Using a capacitor to start the motor causes excessive current to flow into the capacitors, potentially causing damage. A split-phase start or a repulsion start can end up burning out the starter coils because the internal centrifugal switch is not activated. V1000 is for use only with 3-phase motors.

■ Uras Vibrator

Uras vibrator is a vibration motor that gets power from centrifugal force by rotating unbalanced weights on both ends of the shaft. Make the following considerations when selecting a drive for use with an Uras vibrator:

- (1) Uras vibrator should be used within the drive rated frequency
- (2) Use V/f Control
- (3) Increase the acceleration time five to fifteen times longer than would normally be used due to the high amount of load inertia of an Uras vibrator
Note: Contact Yaskawa for applications that require an acceleration time of less than 5 s.
- (4) Drive may have trouble starting due to undertorque that results from erratic torque (static friction torque at start)

■ Motor with Brake

Caution should be taken when using a drive to operate a motor with a built-in holding brake. If the brake is connected to the output side of the drive, it may not release at start due to low voltage levels. A separate power supply should be installed for the motor brake. Motors with a built-in brake tend to generate a fair amount of noise when running at low speeds.

Power Driven Machinery (decelerators, belts, chains, etc.)

Continuous operation at low speeds wears on the lubricating material used in gear box type systems to accelerate and decelerate power driven machinery. Caution should also be taken when operating at speeds above the rated machine speed due to noise and shortened performance life.



YASKAWA AC Drive Series

Name	Feature	Capacity Range (kW)				Outline
		0.1	1	10	100 300	
General Purpose	J1000	Compact V/f Control Drive	Single-Phase 100 V Class*1	0.1	1.1	<ul style="list-style-type: none"> Ultra-small body enables side-by-side installation. Compact design of enclosure panel Easy operation with the Potentiometer Option Unit The noise-suppressing Swing PWM system reduces harsh sound. The full-range fully-automatic torque boost function provides high torque output. (100%/1.5 Hz, 150%/3 Hz) The stall prevention function and the speed search function ensure continuous operation, regardless of load/power supply fluctuations or momentary power loss. The overexcitation braking function enables rapid braking, without using a braking resistor.
			Three-Phase 200 V Class	0.1	5.5	
			Single-Phase 200 V Class	0.1	2.2	
			Three-Phase 400 V Class	0.2	5.5	
	V1000	Compact Vector Control Drive	Three-Phase 200 V Class	0.1	18.5	
			Single-Phase 200 V Class	0.1	3.7	
			Three-Phase 400 V Class	0.2	18.5	
	Varispeed F7	ADVANCED CURRENT VECTOR CONTROL GENERAL-PURPOSE INVERTER	Three-Phase 200 V Class	0.4	110	
			Three-Phase 400 V Class	0.4	300	
	Varispeed G7	GENERAL-PURPOSE INVERTER WITH ADVANCED VECTOR CONTROL	Three-Phase 200 V Class	0.4	110	
			Three-Phase 400 V Class	0.4	300	
	Varispeed AC	ENVIRONMENTALLY FRIENDLY MOTOR DRIVES MATRIX CONVERTER	Three-Phase 200 V Class	5.5	45	
Three-Phase 400 V Class			5.5	75*2		
Varispeed F7S	Super Energy-Saving Variable Speed Drive	Three-Phase 200 V Class	0.4	75		
		Three-Phase 400 V Class	0.4	300*3		
Special Use	VS-626M5	Three-Phase 200 V Class	5.5	37		
		Three-Phase 400 V Class	3.7	45		
	VS-626MR5	Three-Phase 200 V Class	5.5	37		
		Three-Phase 400 V Class	3.7	45		
	VS-626MC5	Three-Phase 200 V Class	0.4	75		
		Three-Phase 400 V Class	0.4	75		
	VS-646HF5	High-frequency inverter drives	Three-Phase 200 V Class	2.2	7.5	

*1: Single-phase 100 V class for release soon.
 *2: Some models not yet released.
 *3: Up to 160 kW for motors not using a PG encoder.



Global Service Network



Region	Service Area	Service Location	Service Agency	Telephone/Fax
North America	U.S.A	Chicago (HQ) Los Angeles New Jersey Boston San Francisco Ohio North Carolina	① YASKAWA ELECTRIC AMERICA INC.	Headquarters ☎ +1-847-887-7303 FAX +1-847-887-7070
	Mexico	Mexico City	② PILLAR MEXICANA. S.A. DE C.V.	☎ +52-5593-28-69 FAX +52-5651-55-73
South America	South America	Sao Paulo	③ YASKAWA ELÉCTRICO DO BRASIL LTD.A.	☎ +55-11-3585-1100 FAX +55-11-5581-8795
	Colombia	Santafe De Bogota	④ VARIADORES LTD.A.	☎ +57-91-635-7460 FAX +57-91-611-3872
Europe	All of Europe and South Africa	Frankfurt	⑤ YASKAWA ELECTRIC EUROPE GmbH	☎ +49-6196-569-300 FAX +49-6196-569-398
			⑥ YASKAWA ENGINEERING EUROPE GmbH	☎ +49-6196-569-520 FAX +49-6196-888-598
Asia	Japan	Tokyo, offices nationwide	⑦ YASKAWA ELECTRIC CORPORATION (Manufacturing, sales)	☎ +81-3-5402-4502 FAX +81-3-5402-4580
			⑧ YASKAWA ELECTRIC ENGINEERING CORPORATION (After-sales service)	☎ +81-4-2931-1810 FAX +81-4-2931-1811
	South Korea	Seoul	⑨ YASKAWA ELECTRIC KOREA CORPORATION	☎ +82-2-784-7844 FAX +82-2-784-8495
			⑩ YASKAWA ENGINEERING KOREA Co.	☎ +82-2-3775-0337 FAX +82-2-3775-0338
			⑪ Rockwell Samsung Automation Co., Ltd.	☎ +82-331-200-2981 FAX +82-331-200-2970
	China	Beijing, Guangzhou, Shanghai	⑫ YASKAWA ELECTRIC (SHANGHAI) Co., Ltd.	☎ +86-21-5385-2200 FAX +86-21-5385-3299
	Taiwan	Taipei	⑬ YASKAWA ELECTRIC TAIWAN Co.	☎ +886-2-2502-5003 FAX +886-2-2505-1280
	Singapore	Singapore	⑭ YASKAWA ELECTRIC (SINGAPORE) Pte. Ltd.	☎ +65-6282-3003 FAX +65-6289-3003
			⑮ YASKAWA ENGINEERING ASIA-PACIFIC Pte. Ltd.	☎ +65-6282-1601 FAX +65-6282-3668
	Thailand	Bangkok	⑯ YASKAWA ELECTRIC (THAILAND) Co., Ltd.	☎ +66-2-693-2200 FAX +66-2-693-2204
India	Mumbai	⑰ LARSEN & TOUBRO LIMITED	Headquarters ☎ +91-22-7683511 (662) FAX +91-22-7683525	
Oceania	Australia	Sydney (HQ) Melbourne	⑱ ROBOTIC AUTOMATION Pty. Ltd.	Headquarters ☎ +61-2-9748-3788 FAX +61-2-9748-3817

V1000

IRUMA BUSINESS CENTER (SOLUTION CENTER)

480, KamifujiSawa, Iruma, Saitama 358-8555, Japan
Phone 81-4-2962-5696 Fax 81-4-2962-6138

YASKAWA ELECTRIC AMERICA, INC.

2121 Norman Drive South, Waukegan, IL 60085, U.S.A.
Phone 1-847-887-7000 Fax 1-847-887-7370

YASKAWA ELÉTRICO DO BRASIL LTDA.

Avenida Fagundes Filho, 620 São Paulo-SP CEP 04304-000, Brazil
Phone 55-11-3585-1100 Fax 55-11-5581-8795

YASKAWA ELECTRIC EUROPE GmbH

Am Kronberger Hang 2, 65824 Schwalbach, Germany
Phone 49-6196-569-300 Fax 49-6196-569-312

YASKAWA ELECTRIC UK LTD.

1 Hunt Hill Orchardton Woods Cumbernauld, G68 9LF, United Kingdom
Phone 44-1236-735000 Fax 44-1236-458182

YASKAWA ELECTRIC KOREA CORPORATION

7F, Doore Bldg. 24, Yeoido-dong, Youngdungpo-Ku, Seoul 150-877, Korea
Phone 82-2-784-7844 Fax 82-2-784-8495

YASKAWA ELECTRIC (SINGAPORE) PTE. LTD.

151 Lorong Chuan, #04-01, New Tech Park 556741, Singapore
Phone 65-6282-3003 Fax 65-6289-3003

YASKAWA ELECTRIC (SHANGHAI) CO., LTD.

No.18 Xizang Zhong Road. Room 1702-1707, Harbour Ring Plaza Shanghai 200001, China
Phone 86-21-5385-2200 Fax 86-21-5385-3299

YASKAWA ELECTRIC (SHANGHAI) CO., LTD. BEIJING OFFICE

Room 1011A, Tower W3 Oriental Plaza, No.1 East Chang An Ave.,
Dong Cheng District, Beijing 100738, China
Phone 86-10-8518-4086 Fax 86-10-8518-4082

YASKAWA ELECTRIC TAIWAN CORPORATION

9F, 16, Nanking E. Rd., Sec. 3, Taipei, Taiwan
Phone 886-2-2502-5003 Fax 886-2-2505-1280



YASKAWA ELECTRIC CORPORATION

YASKAWA

In the event that the end user of this product is to be the military and said product is to be employed in any weapons systems or the manufacture thereof, the export will fall under the relevant regulations as stipulated in the Foreign Exchange and Foreign Trade Regulations. Therefore, be sure to follow all procedures and submit all relevant documentation according to any and all rules, regulations and laws that may apply. Specifications are subject to change without notice for ongoing product modifications and improvements.
© 2007-2008 YASKAWA ELECTRIC CORPORATION. All rights reserved.

LITERATURE NO. KAEP C710606 08B

Published in Japan May 2008 07-8 ◇-0
07-11-10



PRINTED WITH SOY INK™ Printed on 100% recycled paper with soybean oil ink.